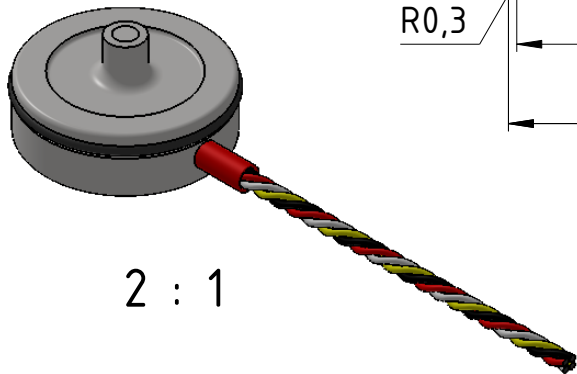
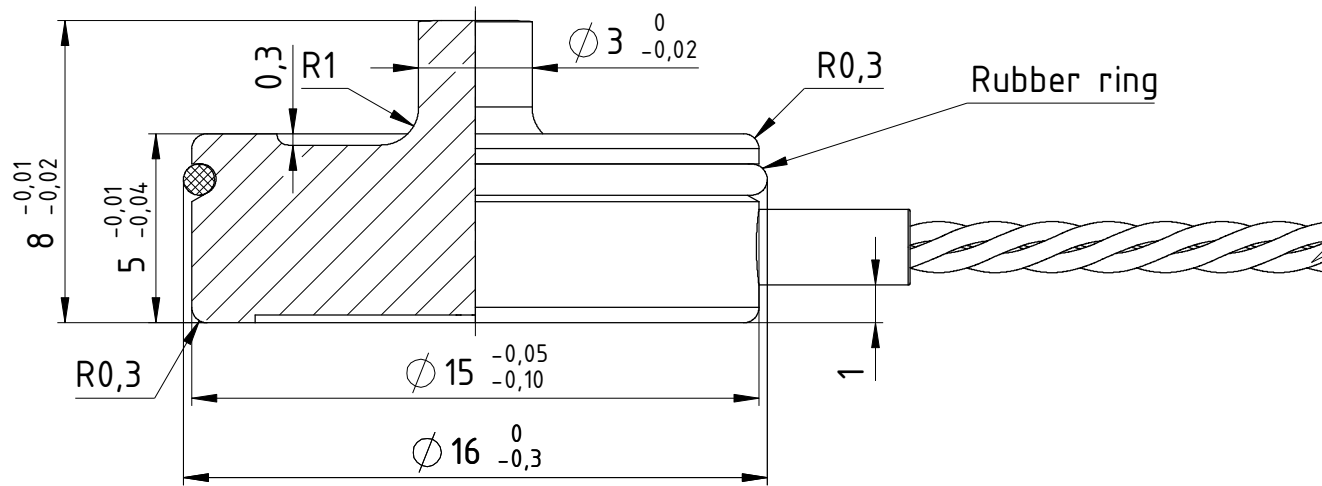
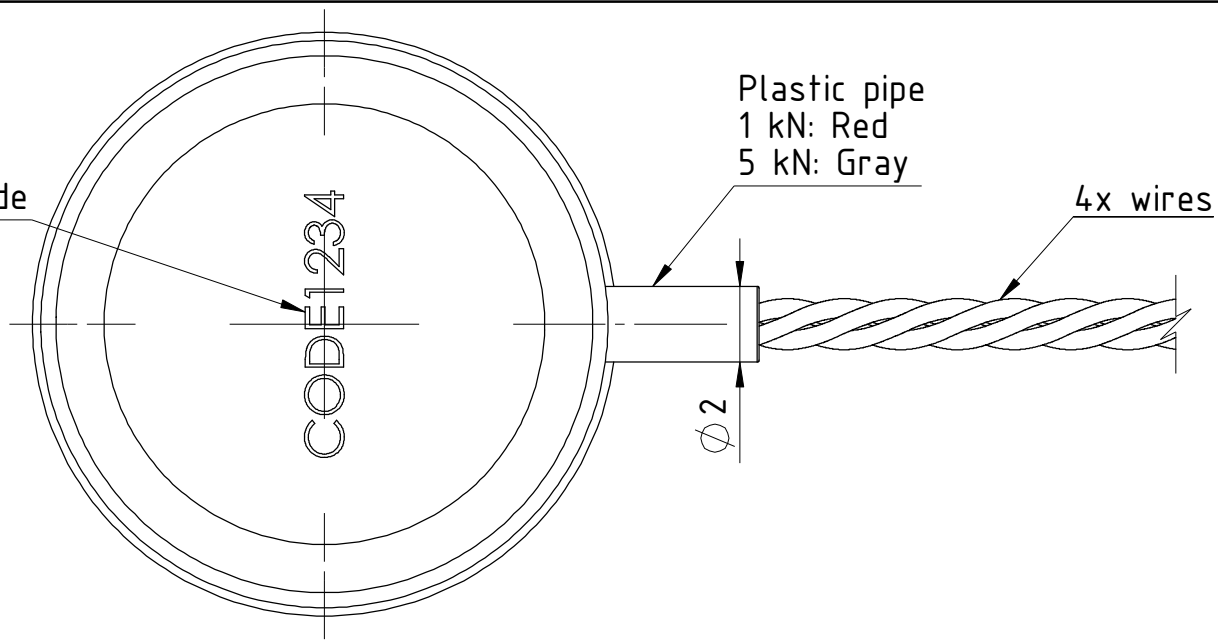
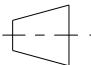
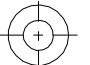


Unique sensor code



|   |               |
|---|---------------|
|   All dimensions in mm |               |
| Date  | 2019. 03. 22. |
| Drawing No.   | 19-05-v1      |

|           |                      |
|-----------|----------------------|
| Name      | RC15 Pressure Sensor |
| ID Number | RC15-1               |

|   |               |
|---|---------------|
|  |               |
| Designer  | Levente Jakab |
| Scale   | M5:1          |