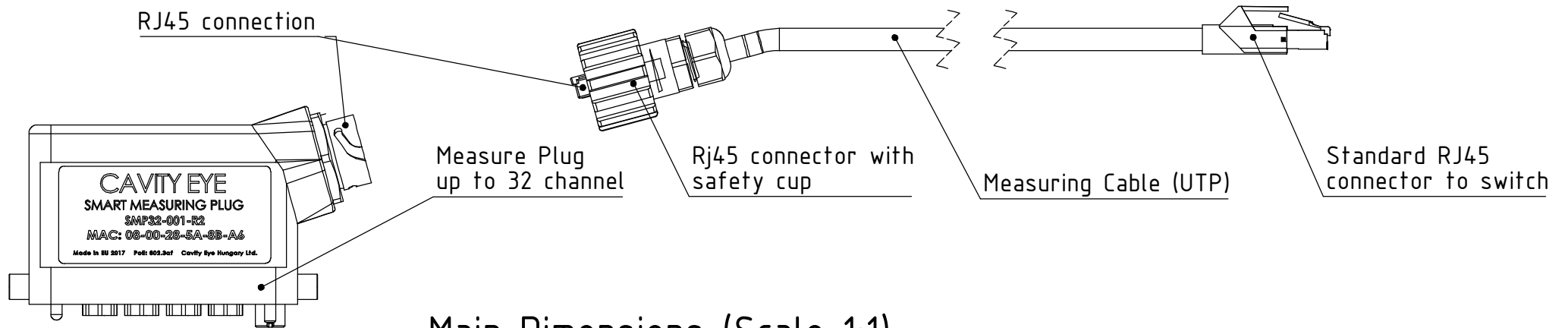
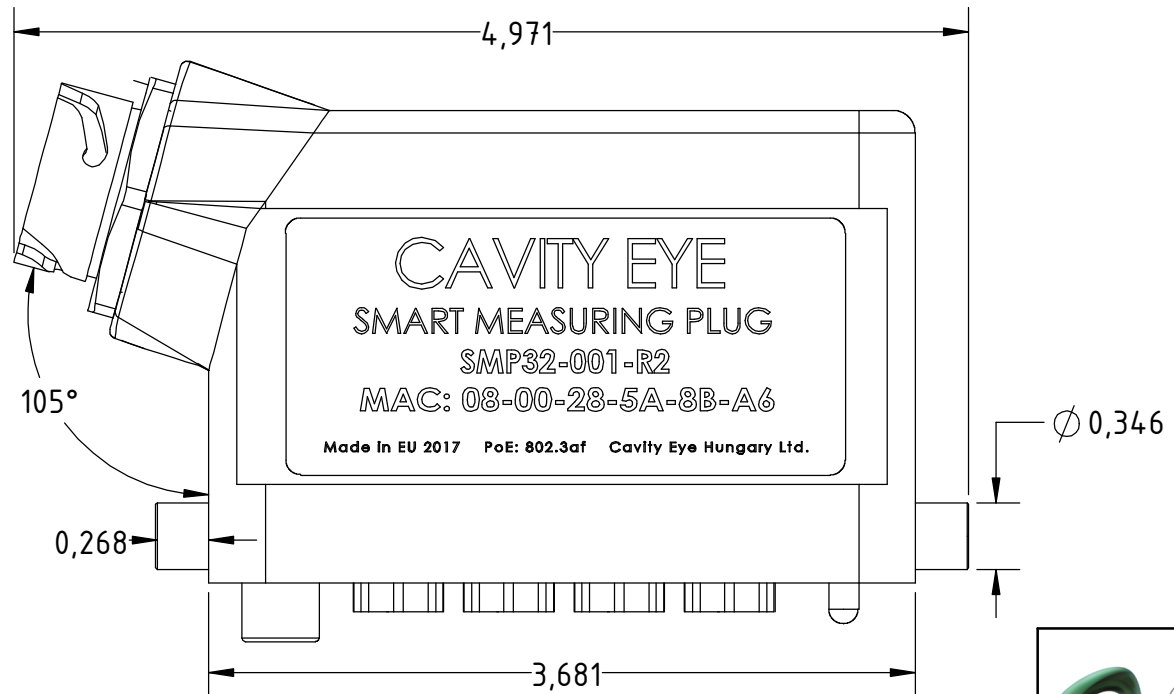
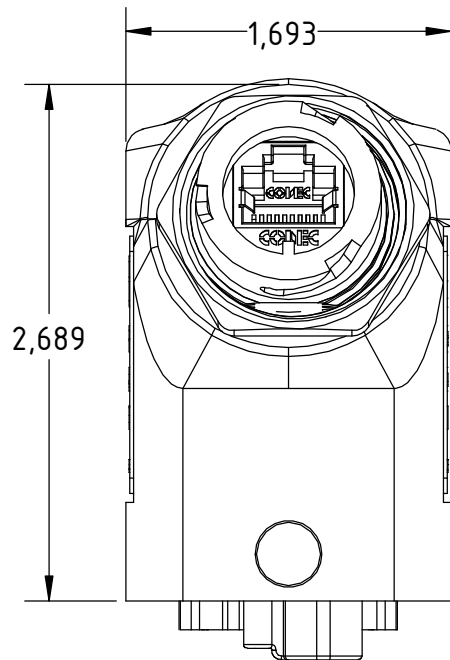
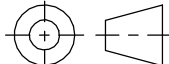


Smart Measuring Plug Assembly



Main Dimensions (Scale 1:1)



 All dimensions in inch		Name	
Date	2018. 04. 17.	Smart Measuring Plug 32	
Drawing No.	17-42-v1	ID Number	SMP32
		Designer	Levente Jakab
		Scale	M1:2

