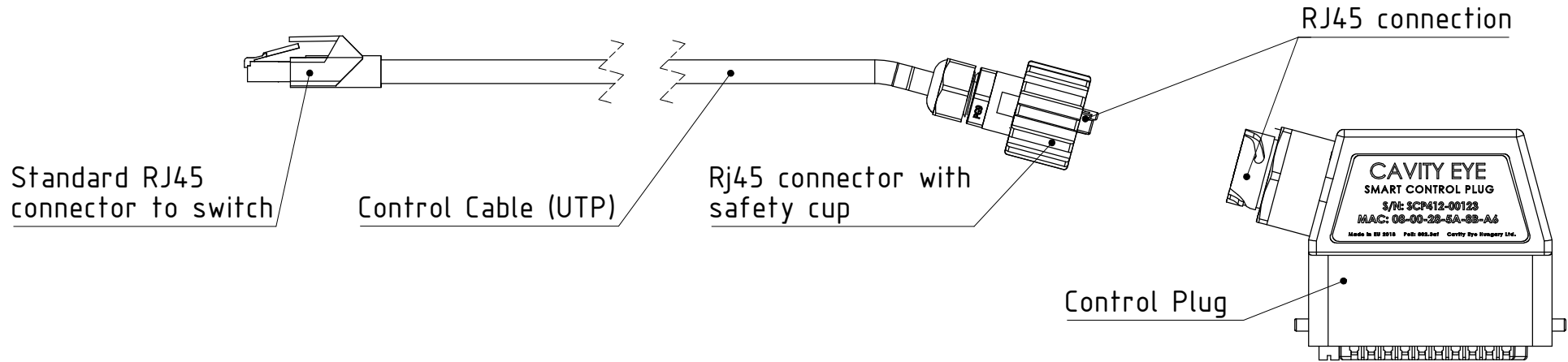
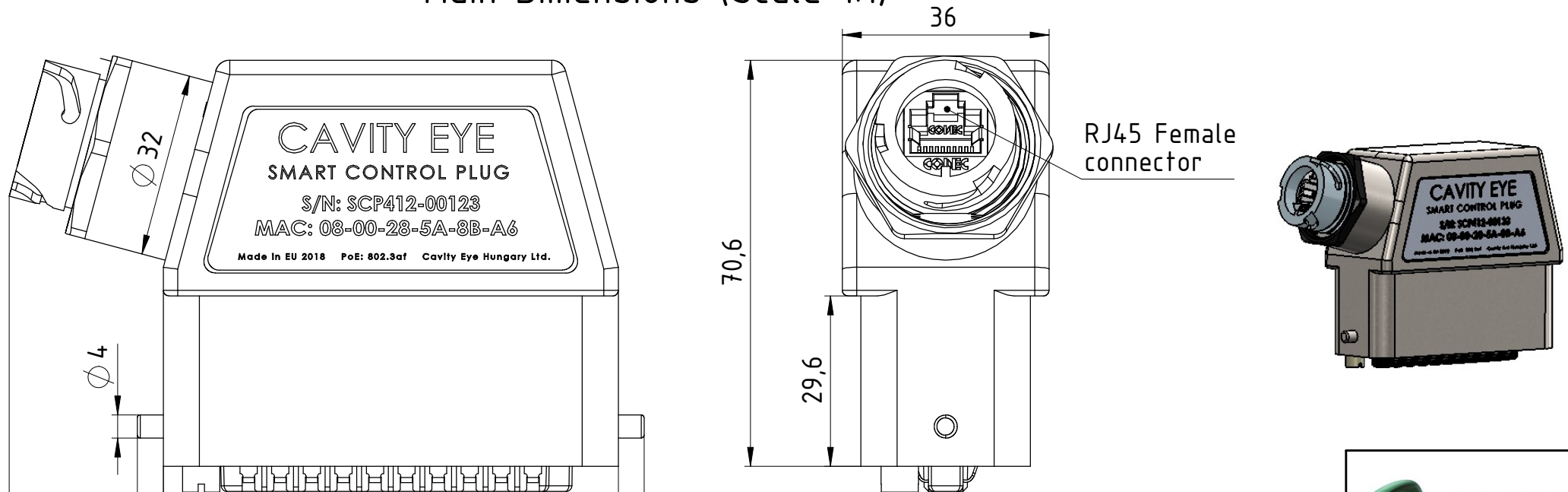
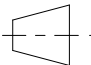
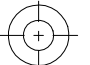



Smart Control Plug Assembly



Main Dimensions (Scale 1:1)



 	All dimensions in mm		Name	
	Date	2018.03.19.	Smart Control Plug	
Drawing No.	17-43-v1	ID Number	SCP412	 CAVITY EYE <small>INTELLIGENCE IN MOLDING</small>
				Designer Levente Jakab
				Scale M1:2