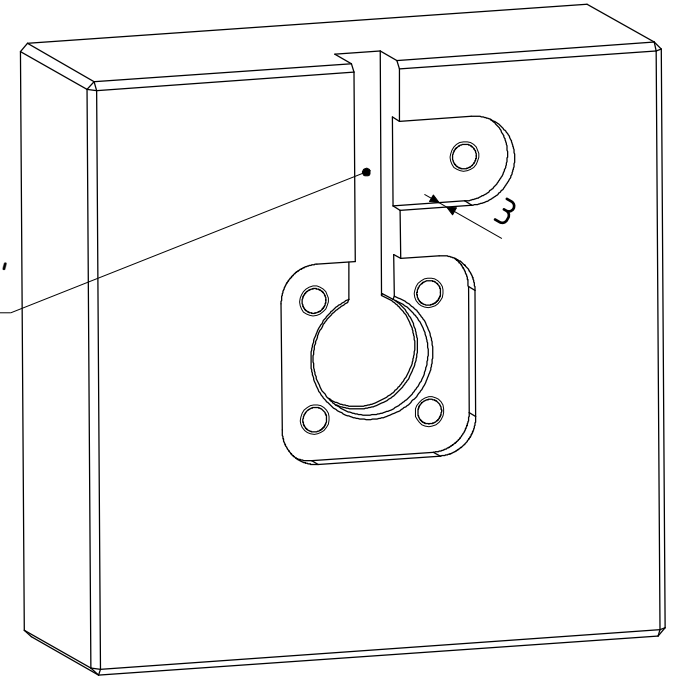


The depth of the channel could be 8 mm, same as the pocket depth



	All dimensions in mm	Name RC15 Sensor Pocket Layout (front)			
		Date 2019. 03. 26.	Designer Levente Jakab		
		Drawing No. 19-81-v1	ID Number RC15-SP-F		Scale M1:1