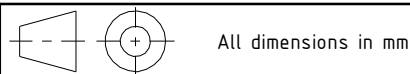
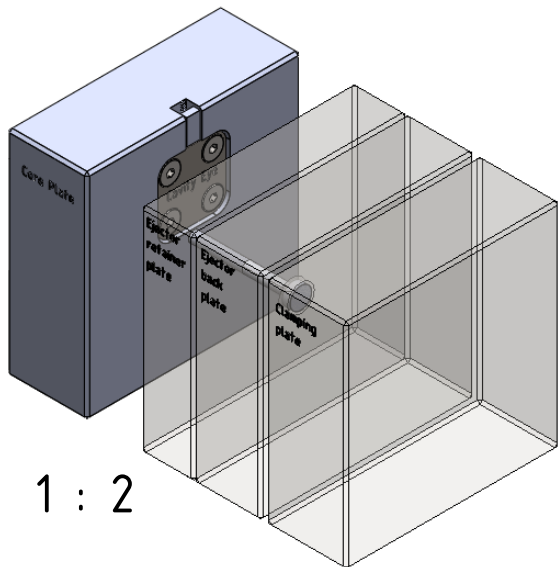
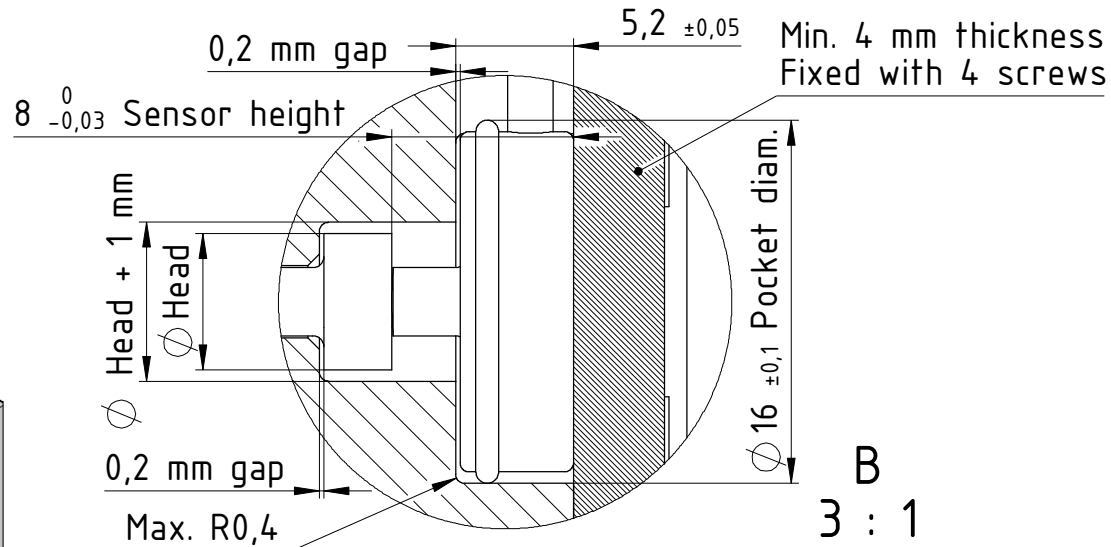
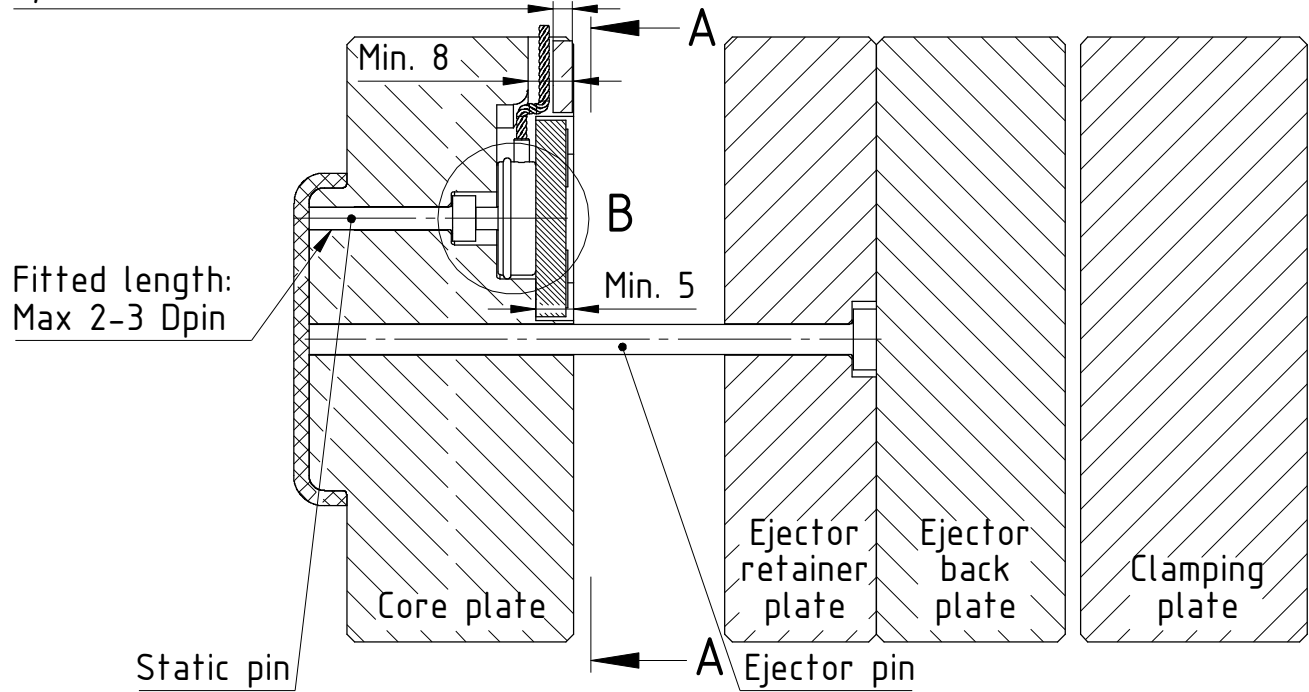



A-A

2,5 mm cover sheet thickness



Name		 CAVITYEYE INTELLIGENCE IN MOLDING
RC15 Sensor Installation in Core or Cavity Plate (Rear)		
Date	2019. 08. 21.	Designer Levente Jakab
Drawing No.	19-85-v1	Scale M1:1
ID Number		RC15-INST-CP-R