

Quick Start Guide

Smart Moulding Control
Applicable model: SMC16

1. SMC16 Parts list

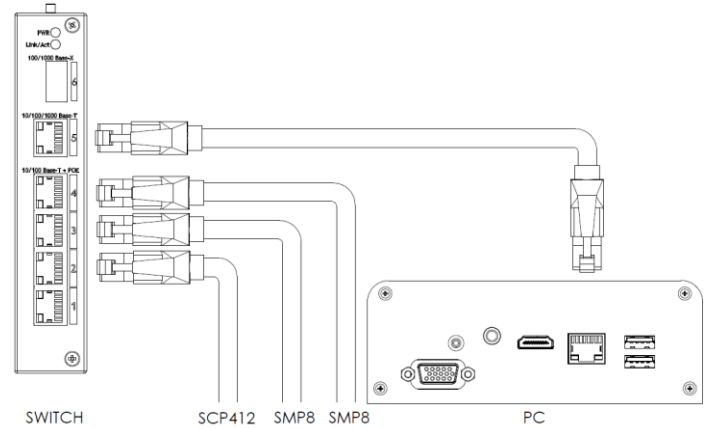
Part name	Pieces
SMP8 plug	2
SCP412 plug	1
Local database (PC Unit)	1
Touchscreen	1
PoE Switch	1
UTP cable with bayonet lock	3
UTP cable 300 mm	1
Monitor cable (USB Mini-B – USB-A)	1
USB Interface – Data saving	1
Power Adapter 19V to PC	1
Power Adapter 48V to Switch	1
Mounting accessories (Monitor holder, screws, DIN rail etc.)	

2. Placement of devices

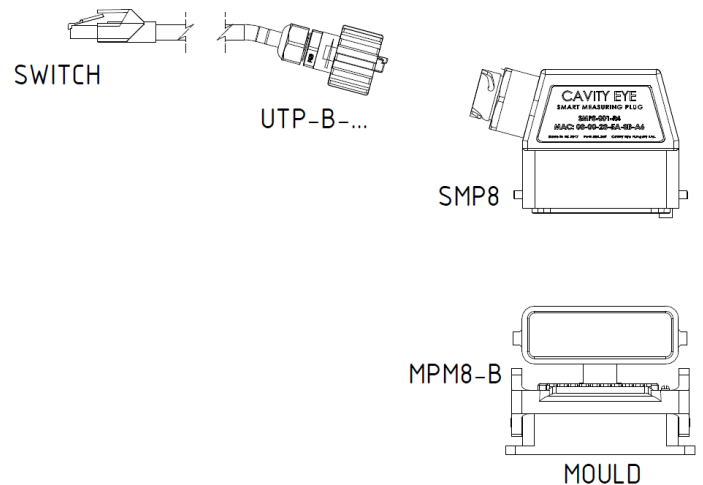
- Fix the PC and the Switch in to the low-voltage cabinet of the injection moulding machine.
- Fix the touchscreen on to the machine, to an easily accessible place with the supplied magnets or a cantilever.
- Check the mould is equipped with Cavity Eye sensors and MPM8-B mould socket.
- Check the injection moulding machine is ready for connect to Cavity Eye (SCS16 socket is already mounted).

3. Connecting devices

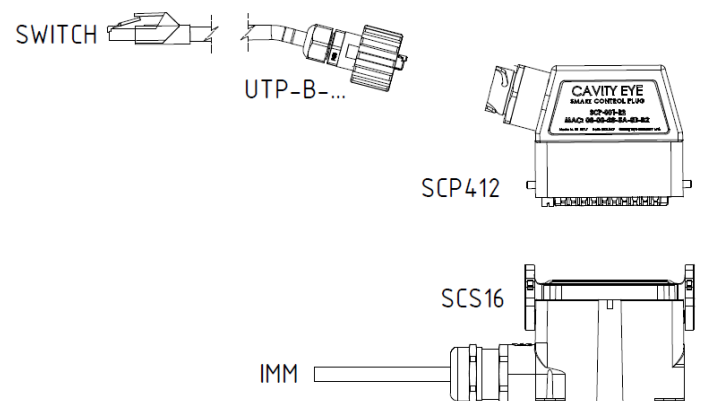
- Connect the PC to the Switch via UTP-300 cable. Use port 5.
- Connect all SMP and SCP devices to the Switch via own bayonet lock UTP cables. Use port 1-4.



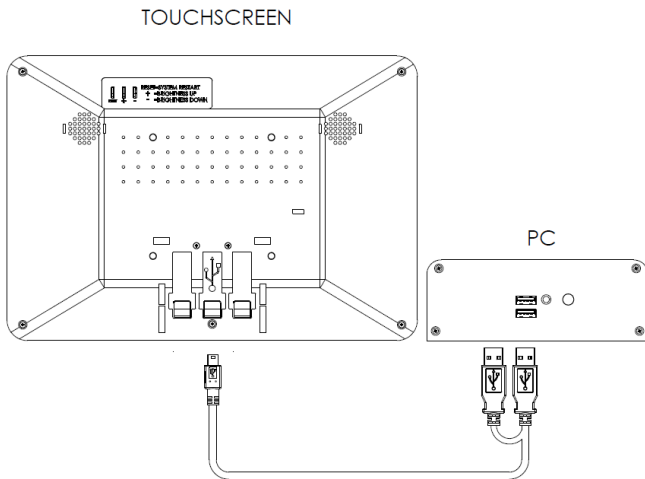
- Connect the SMP devices to the MPM sockets on the mould, and then fix securing clip.



- Connect the SCP device to the SCS socket on the machine, and then fix securing clip.

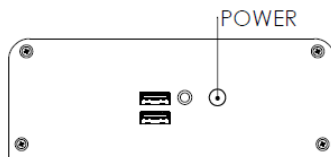


- e. Connect the touchscreen to the PC via USB cable.

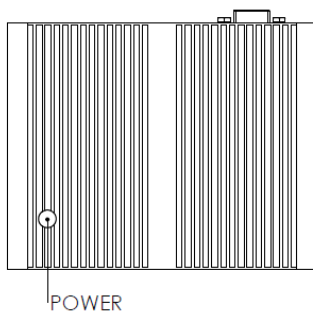


4. Power on

- a. Plug the power supplies into the 230 V/50 Hz source. Check that the power LED light up on the PC and the SWITCH.
- b. The system starts automatically. If not, then you have to turn the PC on manually.





The older models have the power button on the top.




When the system started, the LED will turn blue on the power button.

5. Starting Cavity Eye


- a. When the system is running, you can start the Cavity Eye software by pushing the  icon on the desktop.
- b. You have the log in to the software to be able to use it. Press the blinking log in button  and

enter your password. The default password for *engineer* user is: **67890**

6. Check Smart Plugs

- a. Open Device Manager 
- b. Check if the system registrates all the connected Smart Plugs.
- c. In case of not seeing a Plug you connected:
 - Exit the software
 - Disconnect and reconnect the plug. Check if the plug receives power.
 - Start the software again

7. Check I/O signals

- a. Open I/O tester  in Settings menu
- b. Check if you see the green indicator light for each *input* signals you connected
- c. Check the *output* signals by toggling them to 'on' state. See the Injection Moulding Machine's I/O panel, whether the signal is connected properly.

8. Software updates

For further details, please contact us.
www.cavityeye.com
info@cavityeye.com

Cavity Eye Hungary Kft.
 Szellő str. 1.
 6000 Kecskemét
 Hungary
 Tel: +36 76 951 966
info@cavityeye.com
www.cavityeye.com



CAVITY EYE
 INTELLIGENCE IN MOLDING