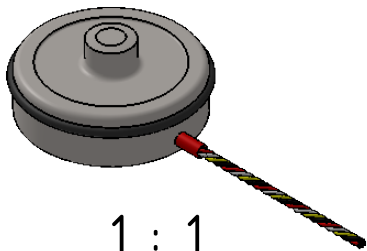
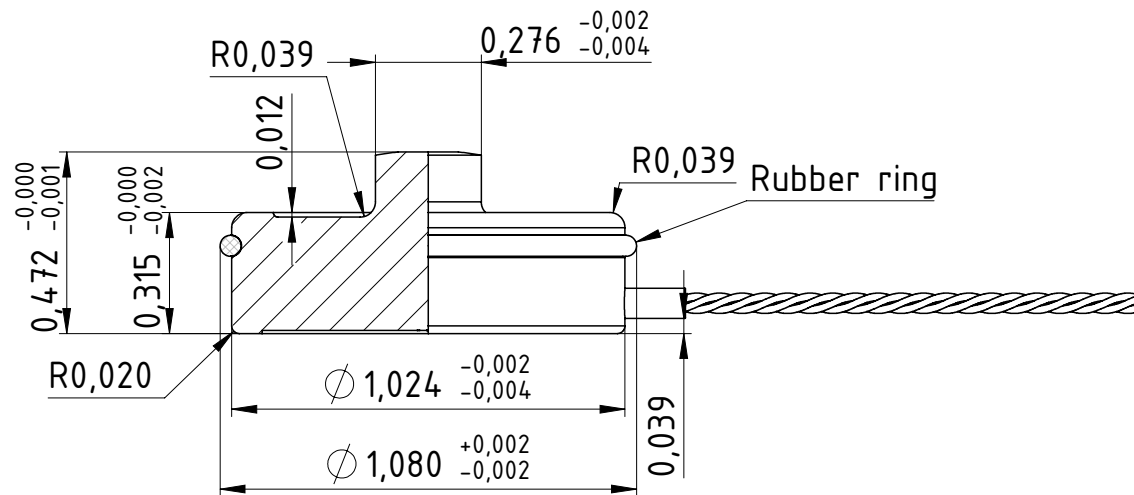
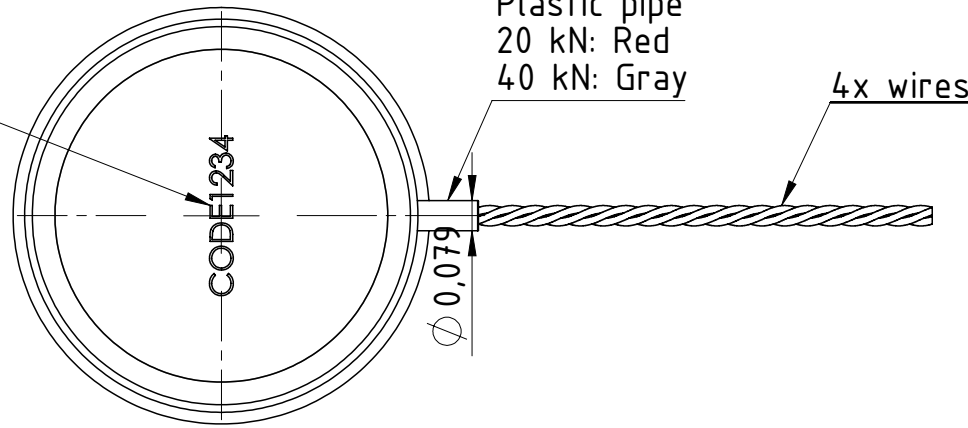
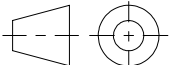



Unique sensor code



1 : 1

 All dimensions in mm		Name <b>RC26 Pressure Sensor</b>		
Date 2019. 03. 22.		Designer <b>Levente Jakab</b>		
Drawing No. 19-06-v1		ID Number RC26-20		