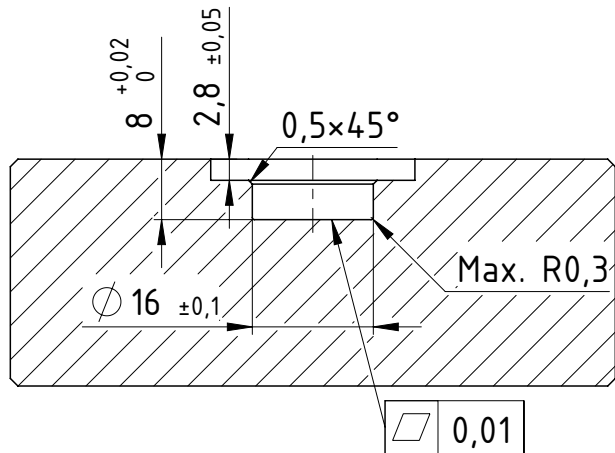
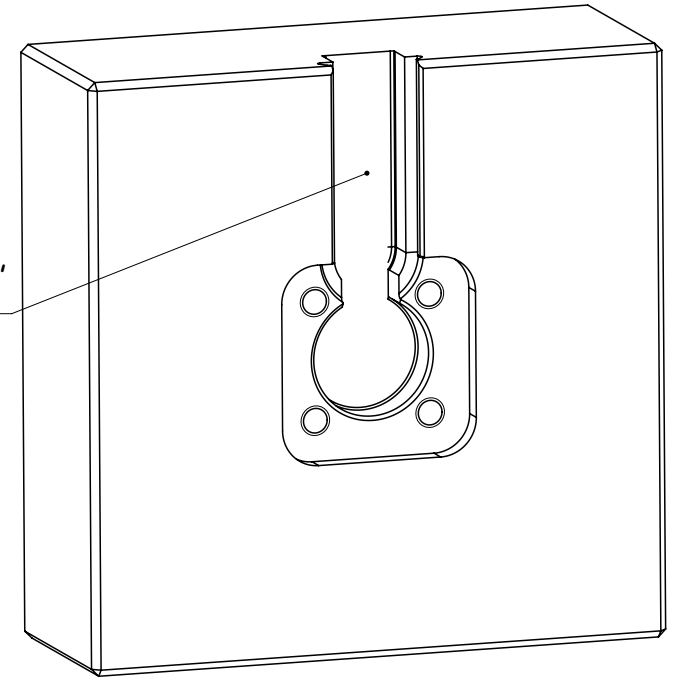
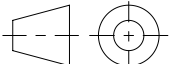



The depth of the channel could be 8 mm, same as the pocket depth



 All dimensions in mm		Name RC15 Sensor Pocket Layout (front)			
Date 2022. 05. 19.		ID Number RC15-SP-F		Designer Dániel Gróf	
Drawing No. 19-81-v1				Scale M1:1	