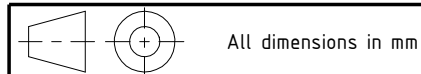
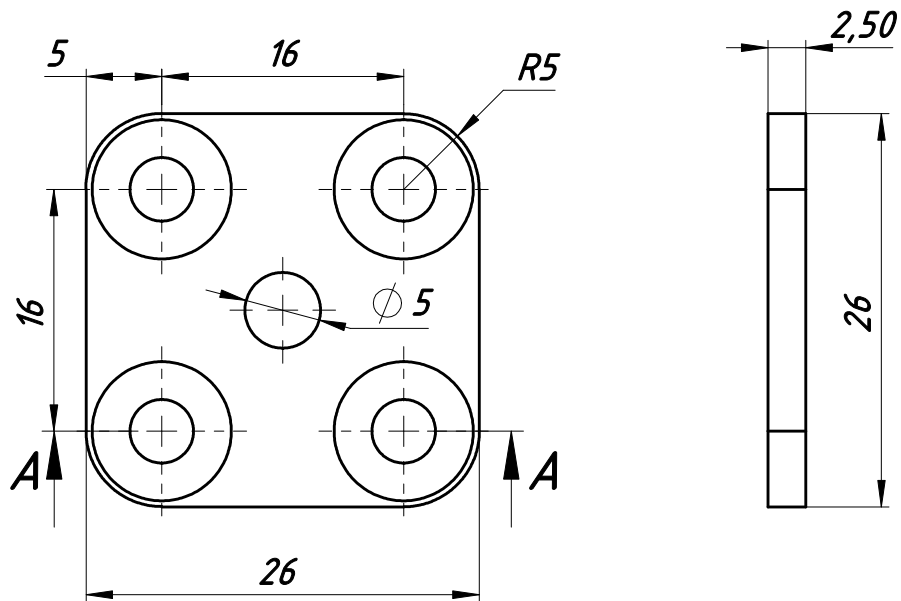
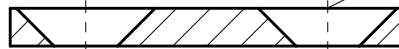


A-A

$\phi 4,2 / \phi 8,2 \times 90^\circ$



All dimensions in mm

Date
2016. 08. 10.

Drawing No.
16-03-v1

Name

PC15 Sensor Front Plate

ID Number
PC15-FP



Designer
Horváth Szabolcs

Scale
M2:1