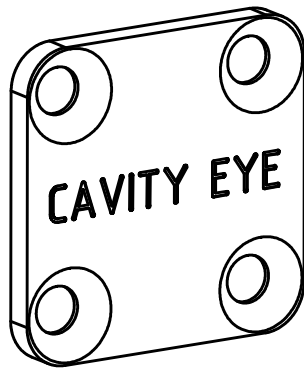
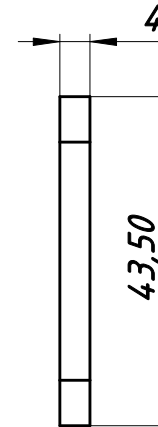
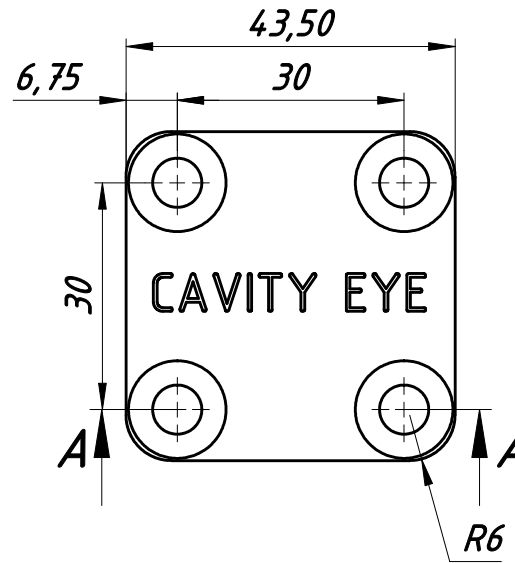
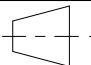
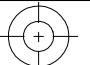



A-A

$\varnothing 6,5 / \varnothing 12,8 \times 90^\circ$



  All dimensions in mm	Name	
Date	PC26 Sensor Back Plate	
2016. 08. 11.		Horváth Szabolcs
Drawing No.	ID Number	Scale
16-06-v1	PC26-BP	M1:1