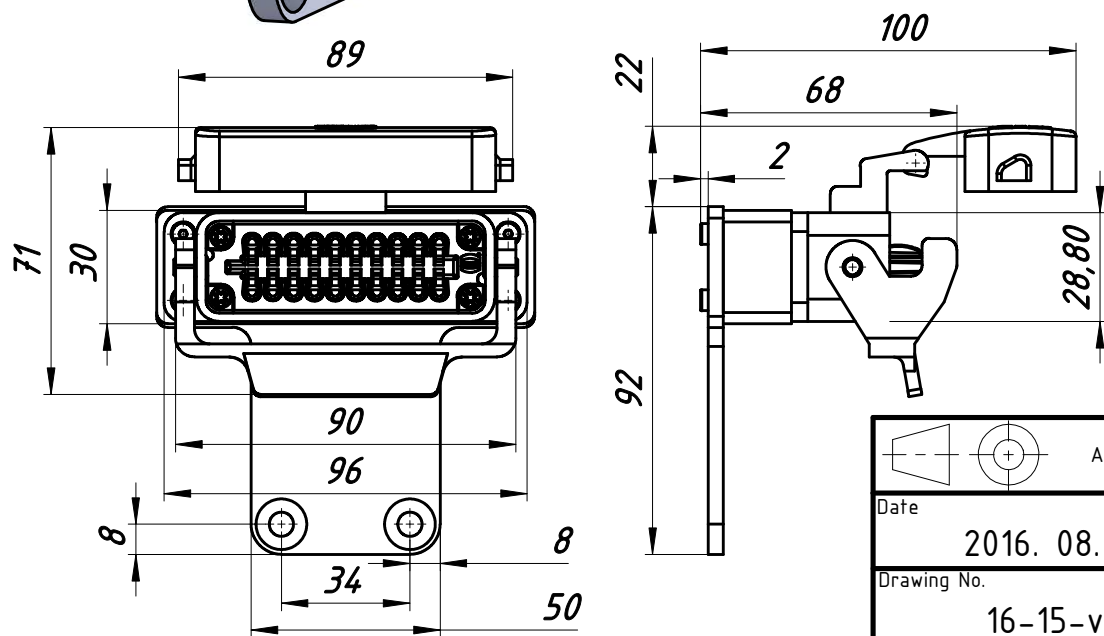
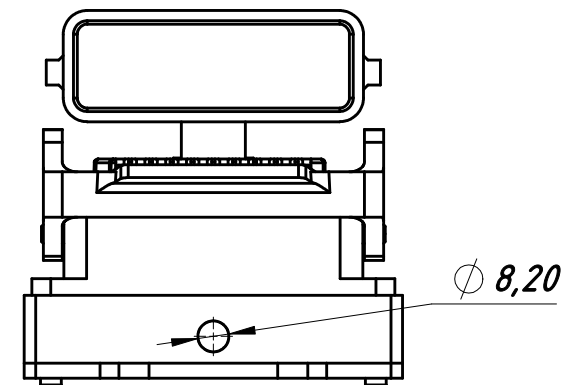
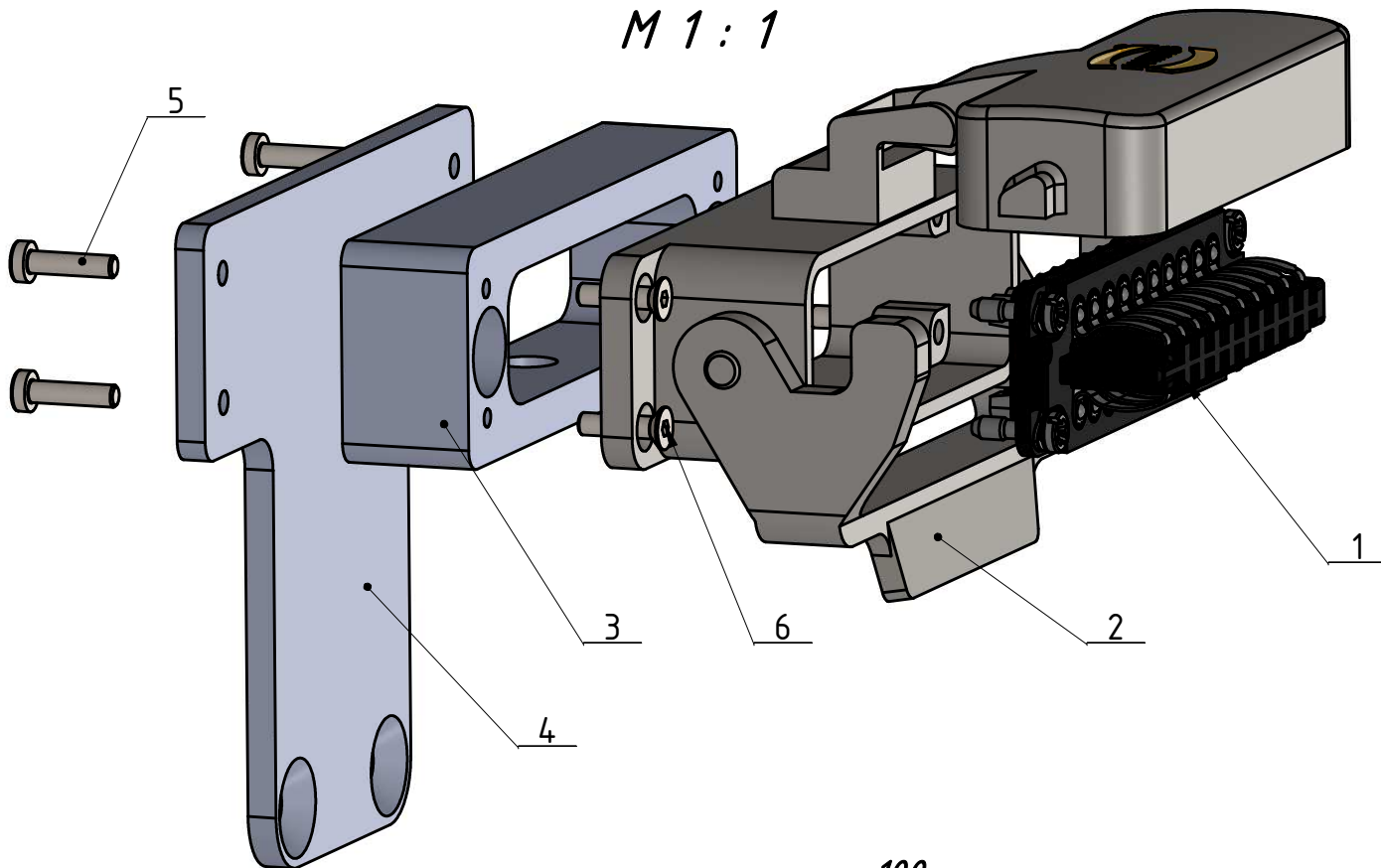


M 1 : 1



Number	Name	pc
1	Connector insert + Memory module	1
2	Connector housing with cap	1
3	AL spacer	1
4	Optional T or L shape holder	1
5	DIN 7991 M3x12	4
6	DIN 7984 M3x12	4

		All dimensions in mm		Name	
Date		2016. 08. 11.		Mould Plug with Memory	
Drawing No.		16-15-v1		ID Number	
				MPM8-B	

Designer	
Horváth Szabolcs	
Scale	
M1:2	