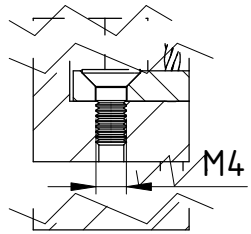
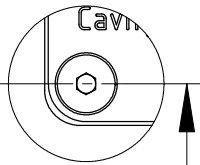


D-D

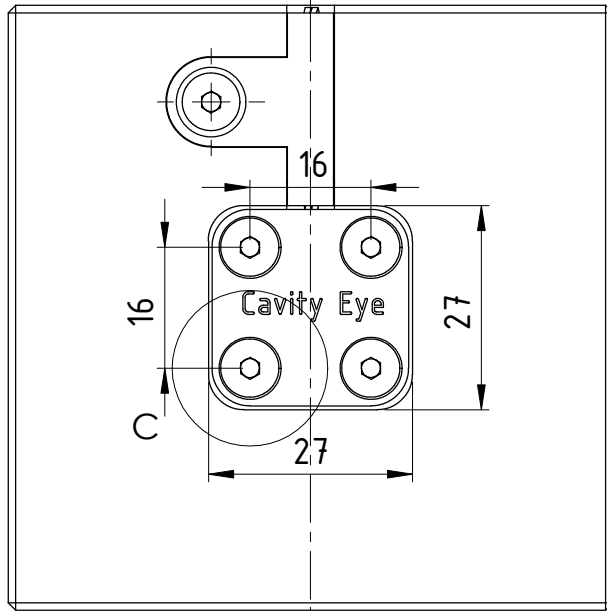


C



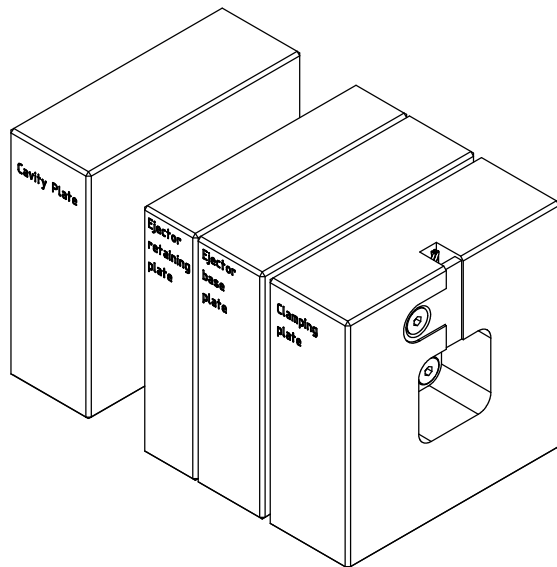
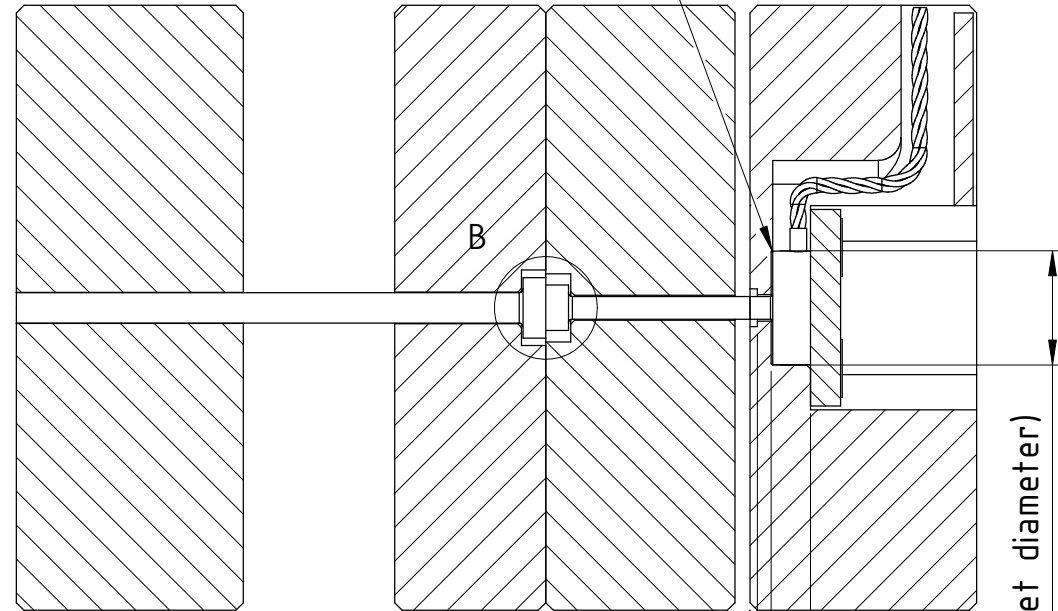
D

A



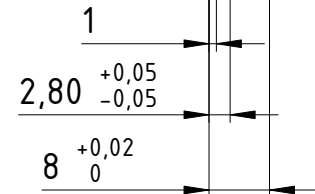
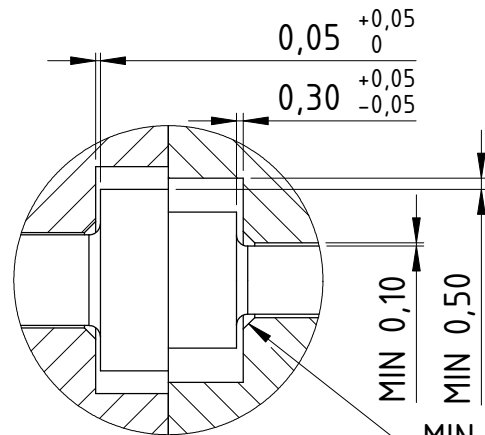
A

A-A



M 1 : 2

M $\frac{B}{3}$: 1



Ø 15,10 ^{+0,10}/₀ (pocket diameter)

All dimensions in mm		Name	
Date		PC Sensor Installation in Clamping Plate (Rear)	
2016. 08. 11.		Designer	
Drawing No.		Horváth Szabolcs	
16-16-v1		Scale	
ID Number		M1:1	
PC15-CP-R			

