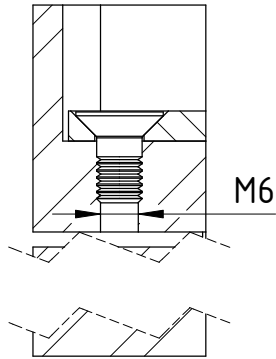
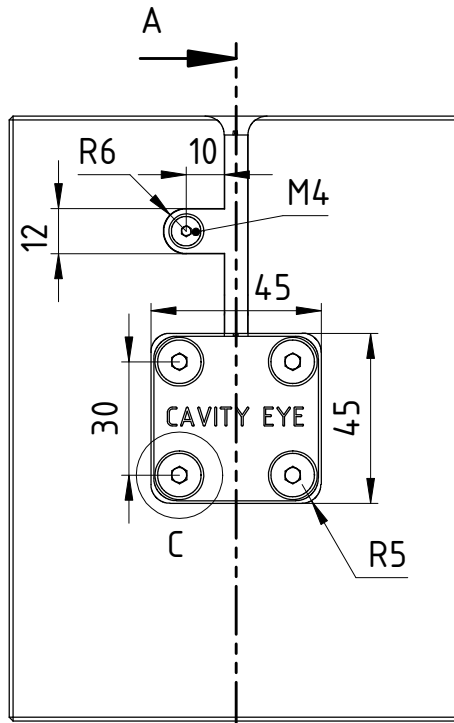
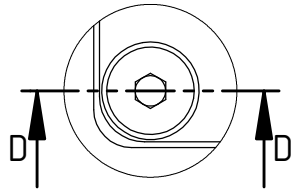


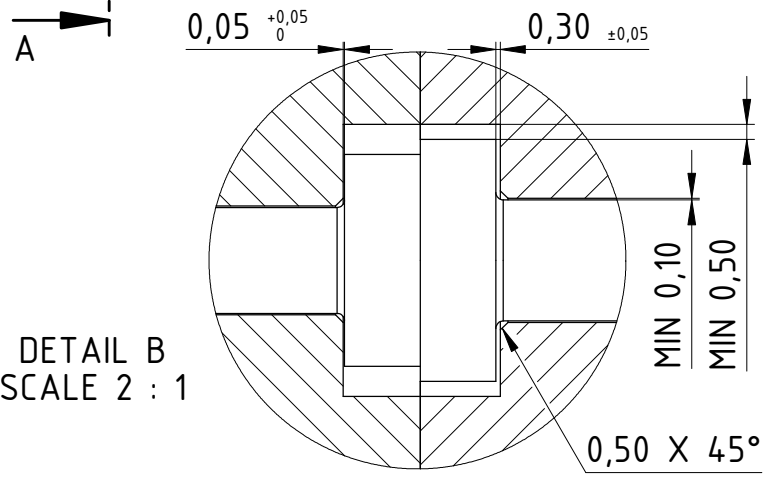
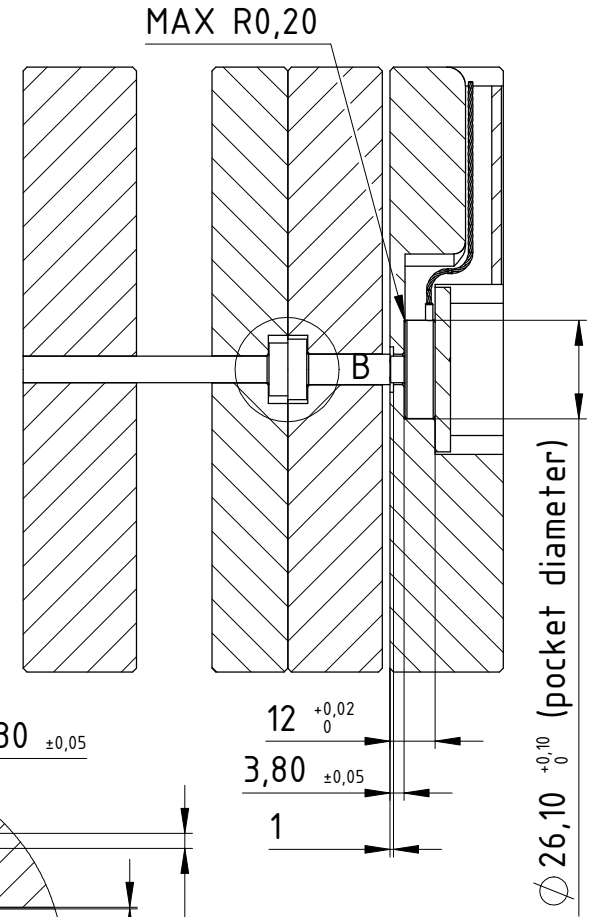
SECTION D-D
SCALE 1 : 1



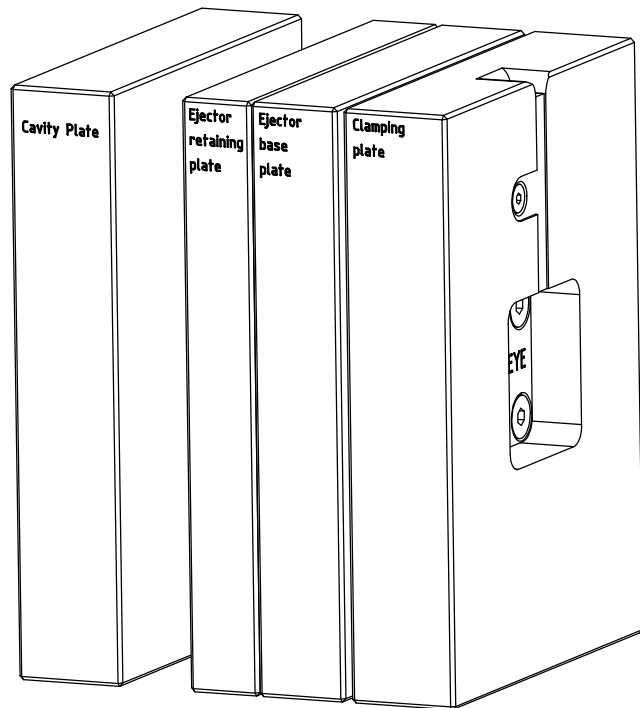
DETAIL C
SCALE 1 : 1





SECTION A-A



DETAIL B
SCALE 2 : 1



 All dimensions in mm		Name PC26 Sensor Installation in Clamping Plate (Rear)		
Date 2016. 08. 11.		Designer Horváth Szabolcs		
Drawing No. 16-18-v1		ID Number PC26-CP-R		
		Scale M1:2		