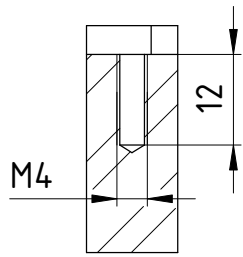
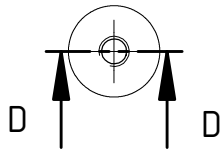


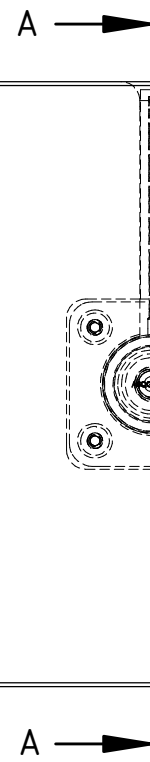
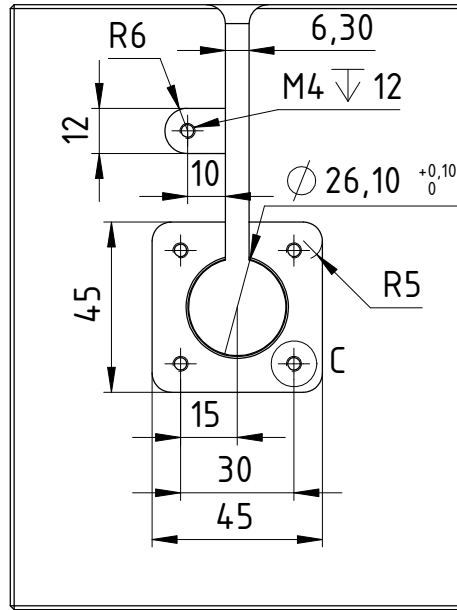
SECTION D-D
SCALE 1 : 1



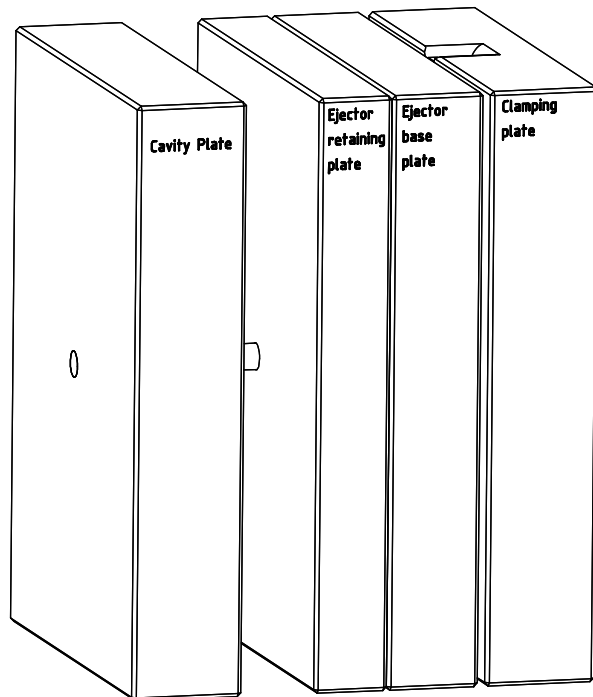
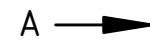
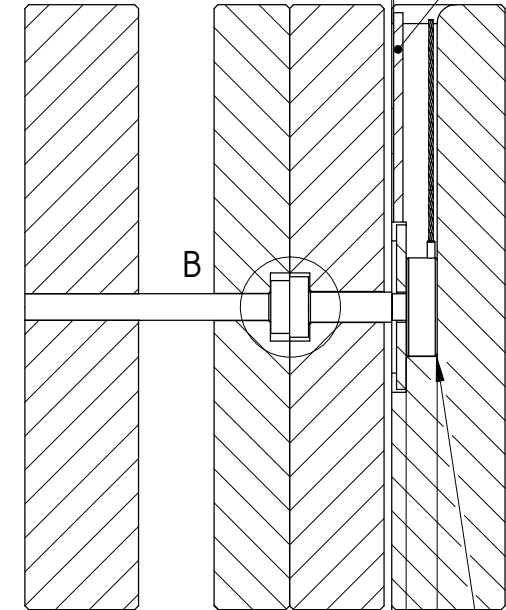
DETAIL C
SCALE 1 : 1



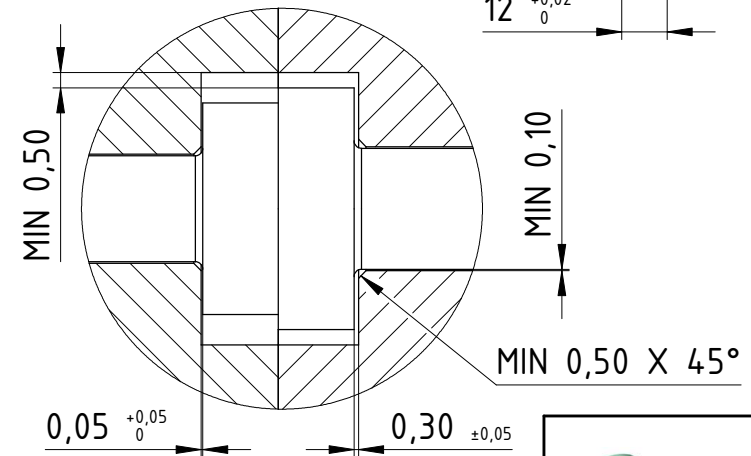
Clamping Plate Front View



SECTION A-A
0,50 Cover Sheet



DETAIL B
SCALE 2 : 1



All dimensions in mm		Name	
Date		PC26 Sensor Installation in Clamping Plate (Front)	
2016. 08. 12.		Designer	
Drawing No.		Horváth Szabolcs	
16-19-v1		ID Number	
		PC26-CP-F	
		Scale	
		M1:2	

