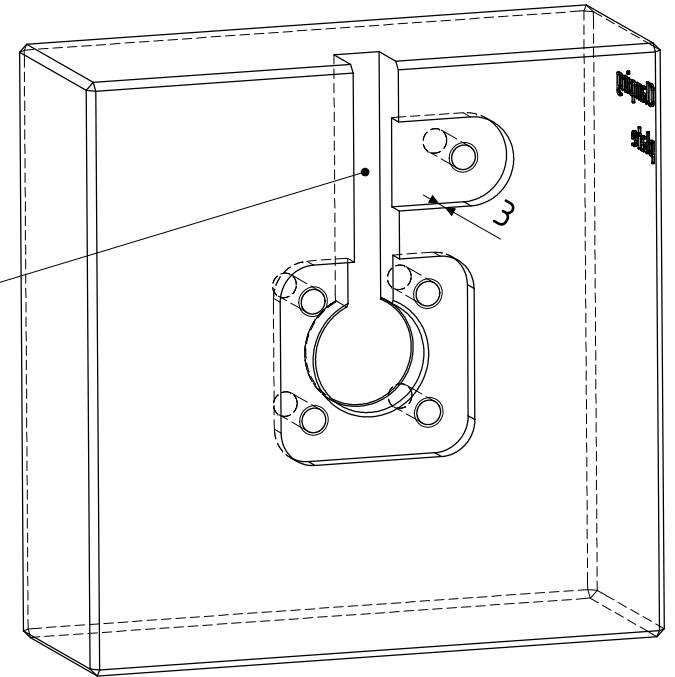
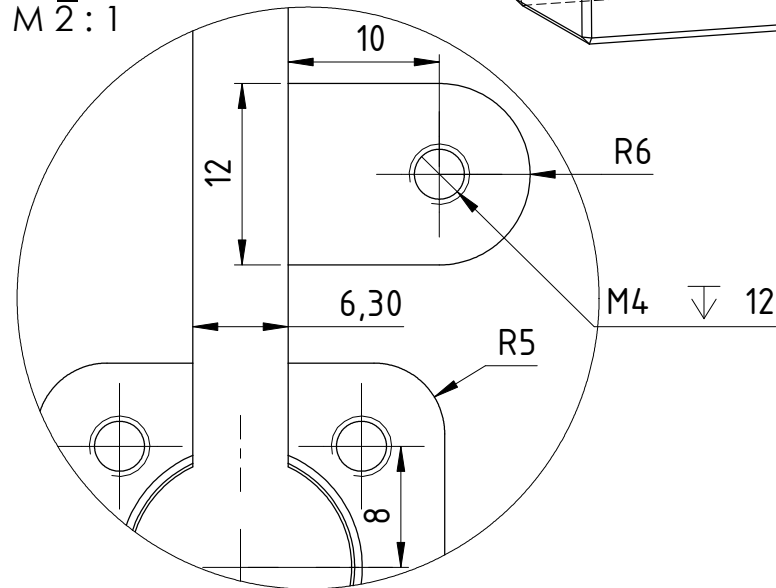


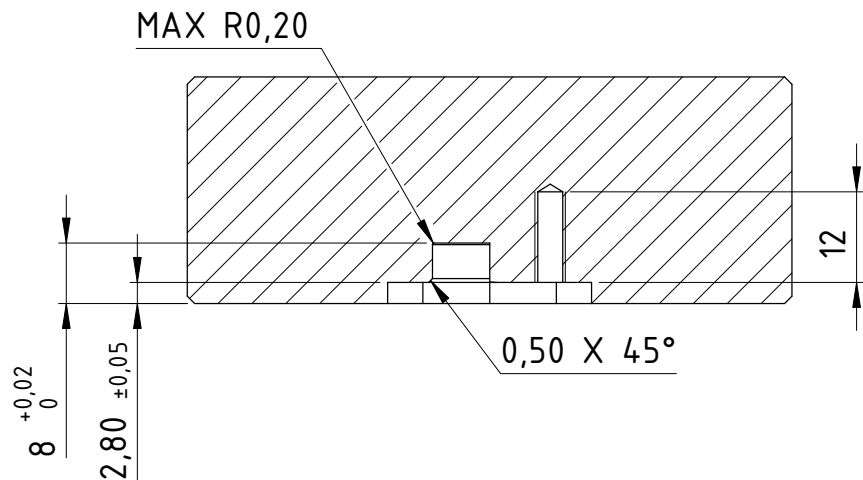
The depth of the channel could be 7,7 - 8 mm





B
M 2:1



A-A



 All dimensions in mm		Name PC15 Sensor Pocket Layout (Front)		
Date 2016. 08. 11.		Designer Horváth Szabolcs		
Drawing No. 16-21-v1		ID Number PC15-SP-F		Scale M1:1