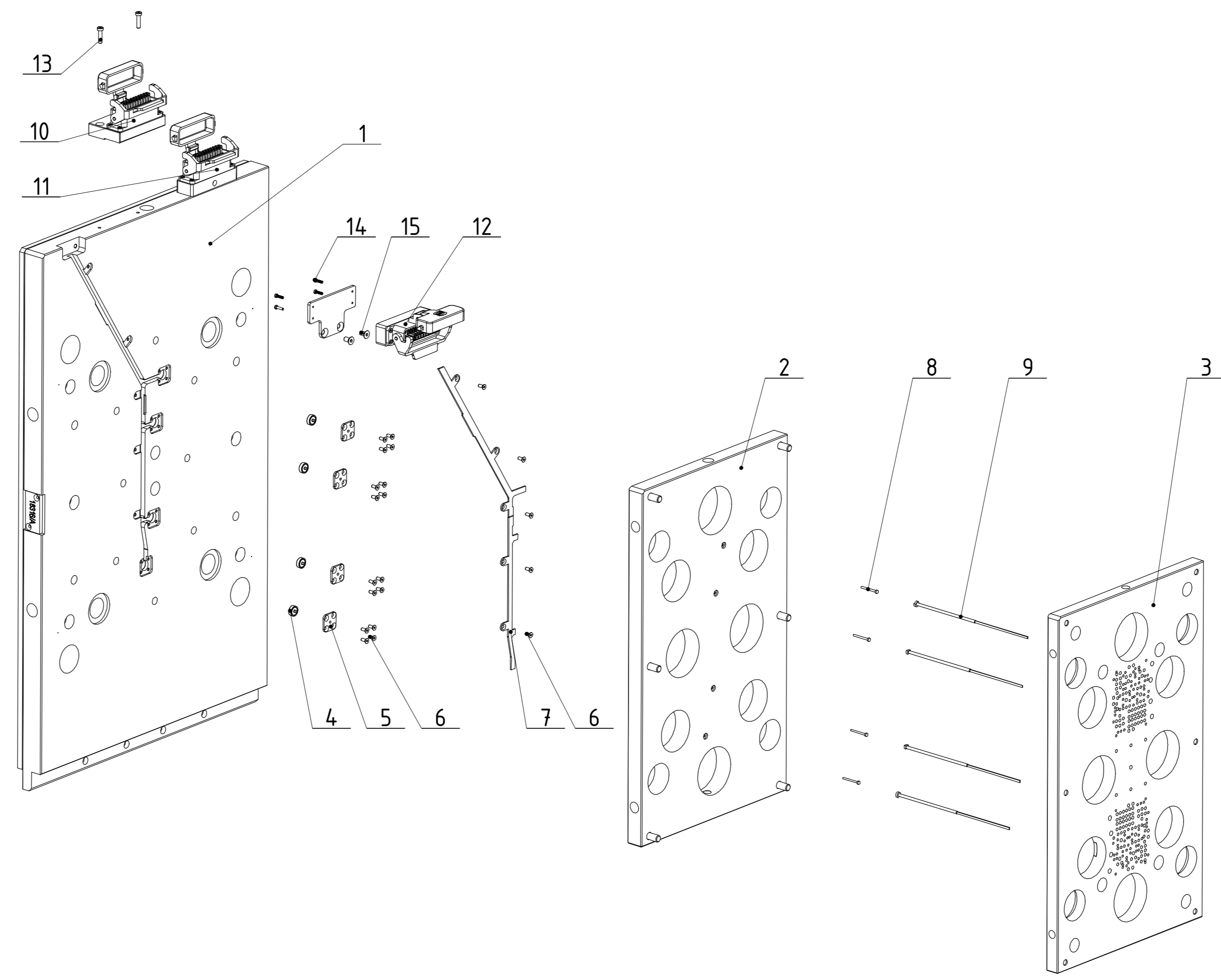
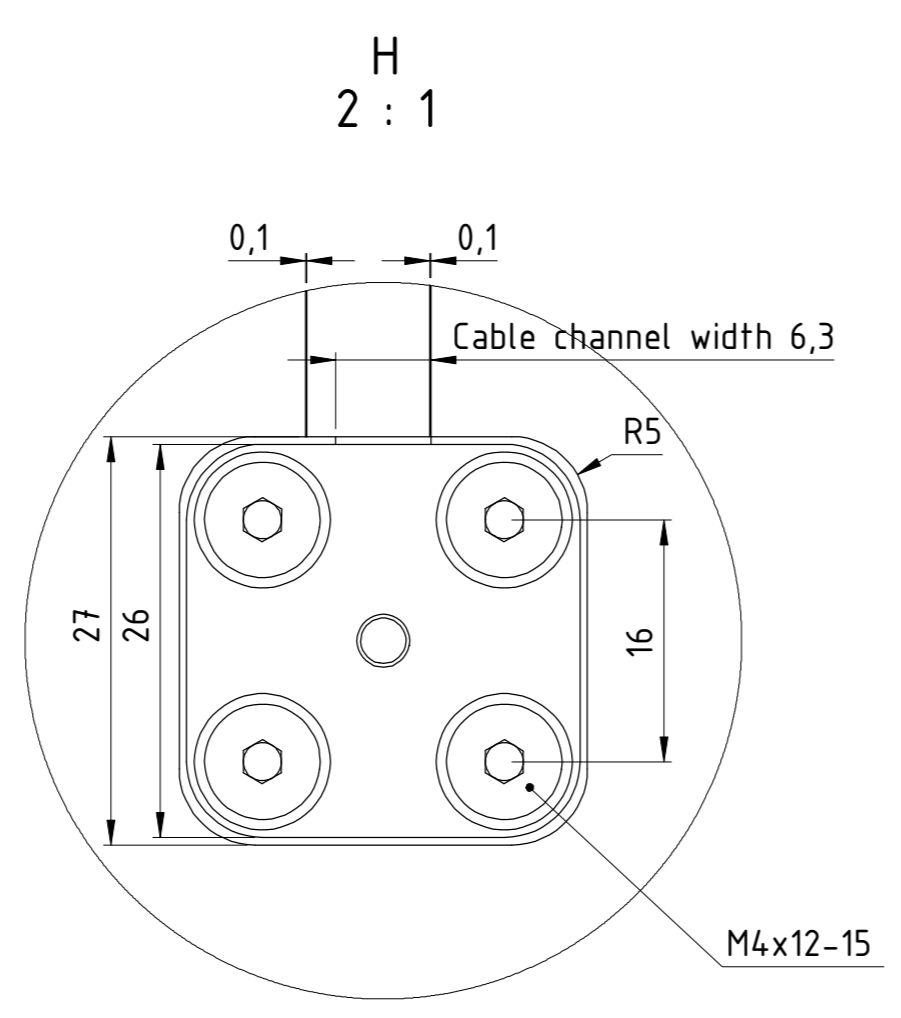
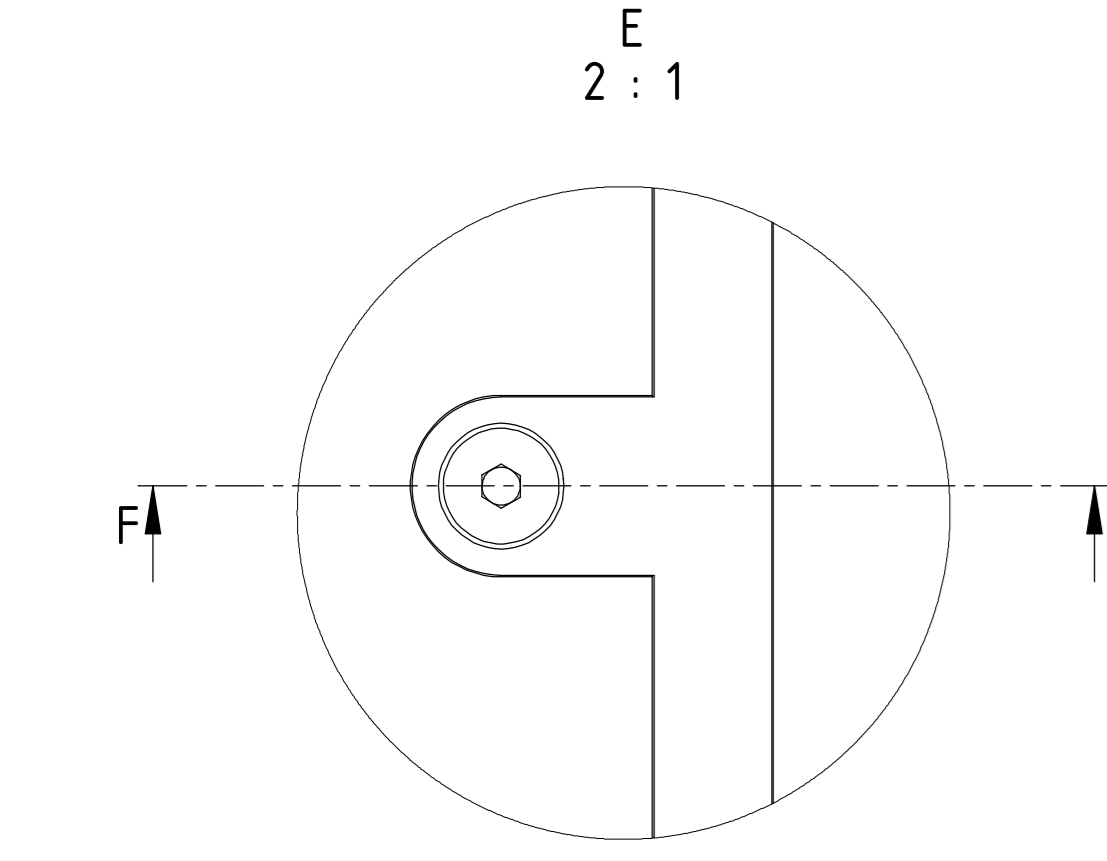
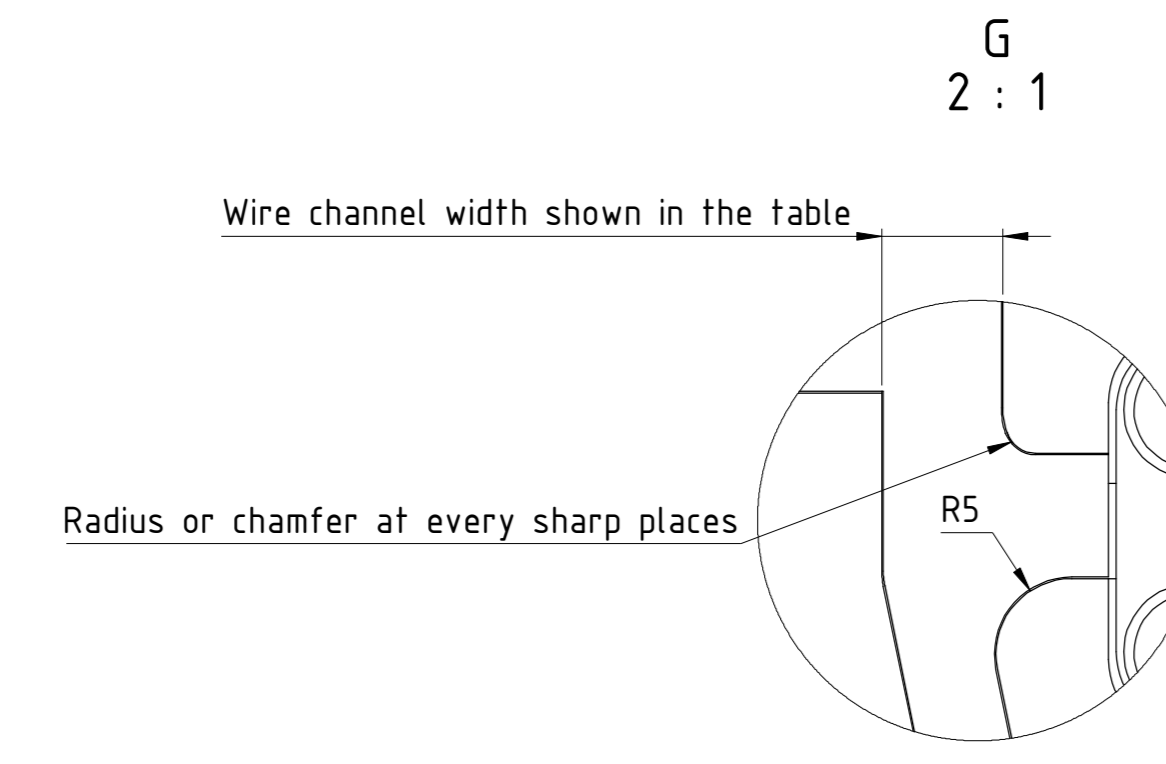
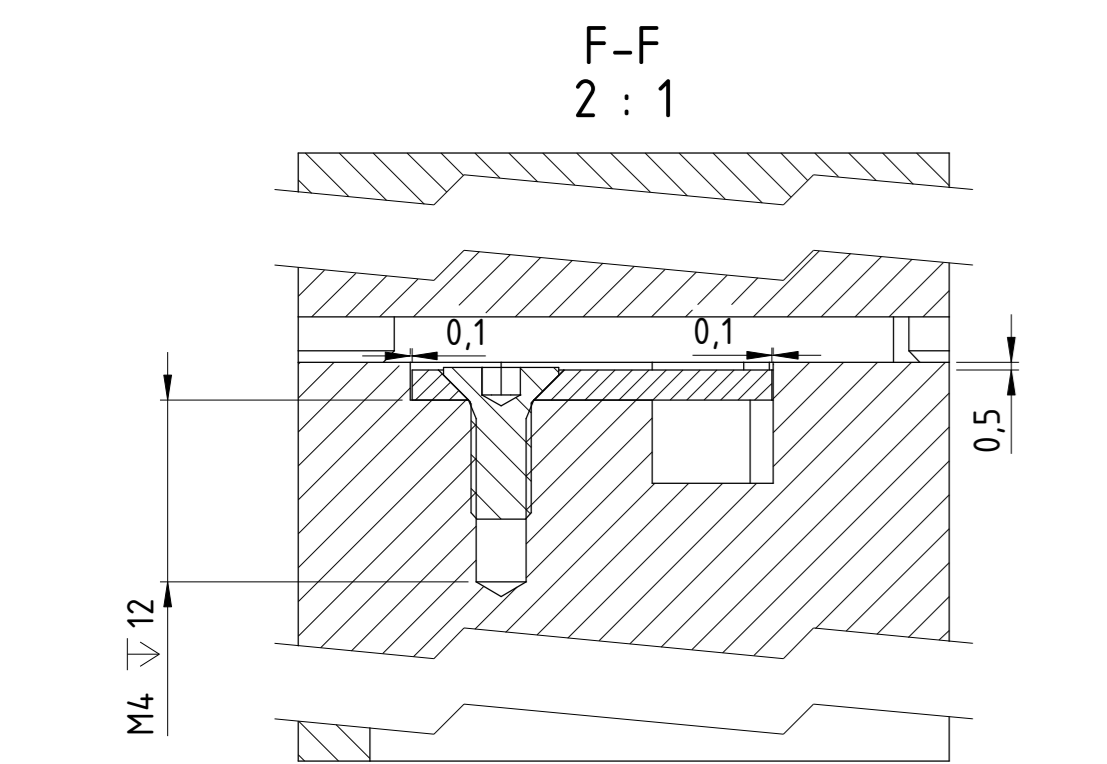


Cable channel dimensions				
Sensor cable amount	Minimum depth	Recommended depth	Minimum width	Recommended width
1-4	5	8	6,3	8
5-8	6	8	8	10
9-12	6	8	10	12
13-16	6	8	12	14
17-32	8	10	14	16



ITEM NO.	PART NUMBER	QTY.
1	Clamping plate	1
2	Ejector base plate	1
3	Ejector retaining plate	1
4	Pressure sensor	4
5	Front cover plate	4
6	Hex. socket countersunk head screw (DIN 7991-M4x10)	21
7	Cable channel cover	1
8	Transfer pin	4
9	Ejector pin	4
10	Mould socket with offset spacer	1
11	Mould socket with standard spacer	1
12	Mould socket with T-shape holder	1
13	Low Head Socket Cap Screw (DIN 7984-M5x20)	4
14	Low Head Socket Cap Screw (DIN 7984-M3x12)	4
15	Hex. socket countersunk head screw (DIN 7991-M6x12)	2