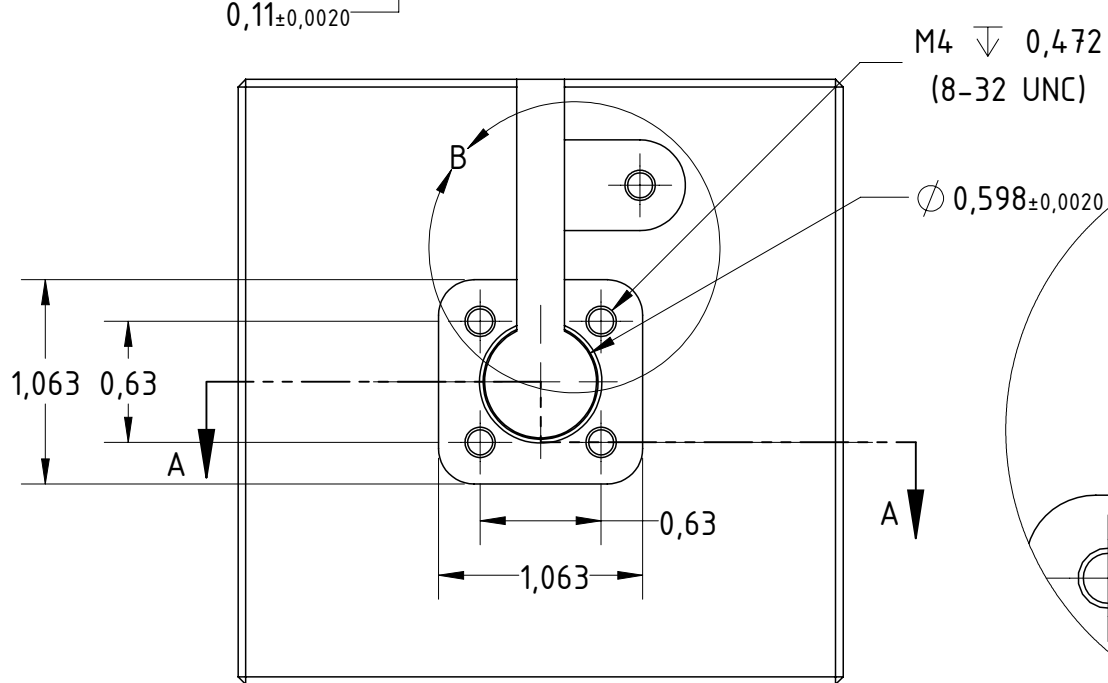
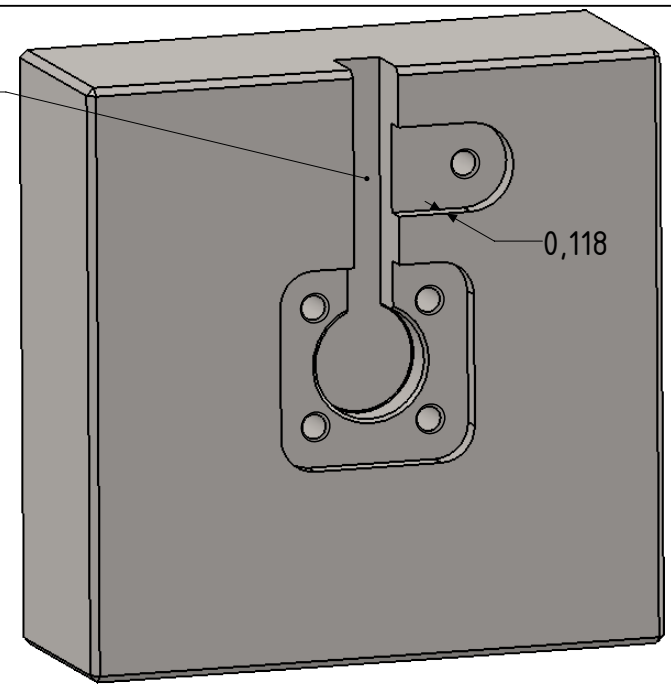
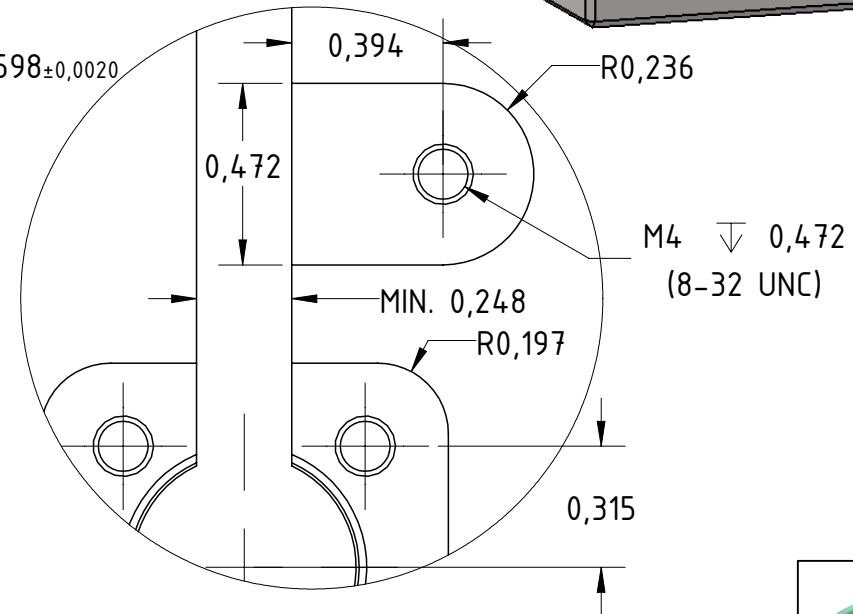
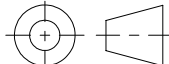



The depth of the channel could be 0,315 inch for one wire



B
2 : 1



 <p>All dimensions in inch</p>	Name				
	PC15 Sensor Pocket Layout (front)			Designer	
	Date	2018. 04. 25.		Horváth Szabolcs	
Drawing No.	16-61-v3	ID Number	PC15-SP-F	Scale	M1:1