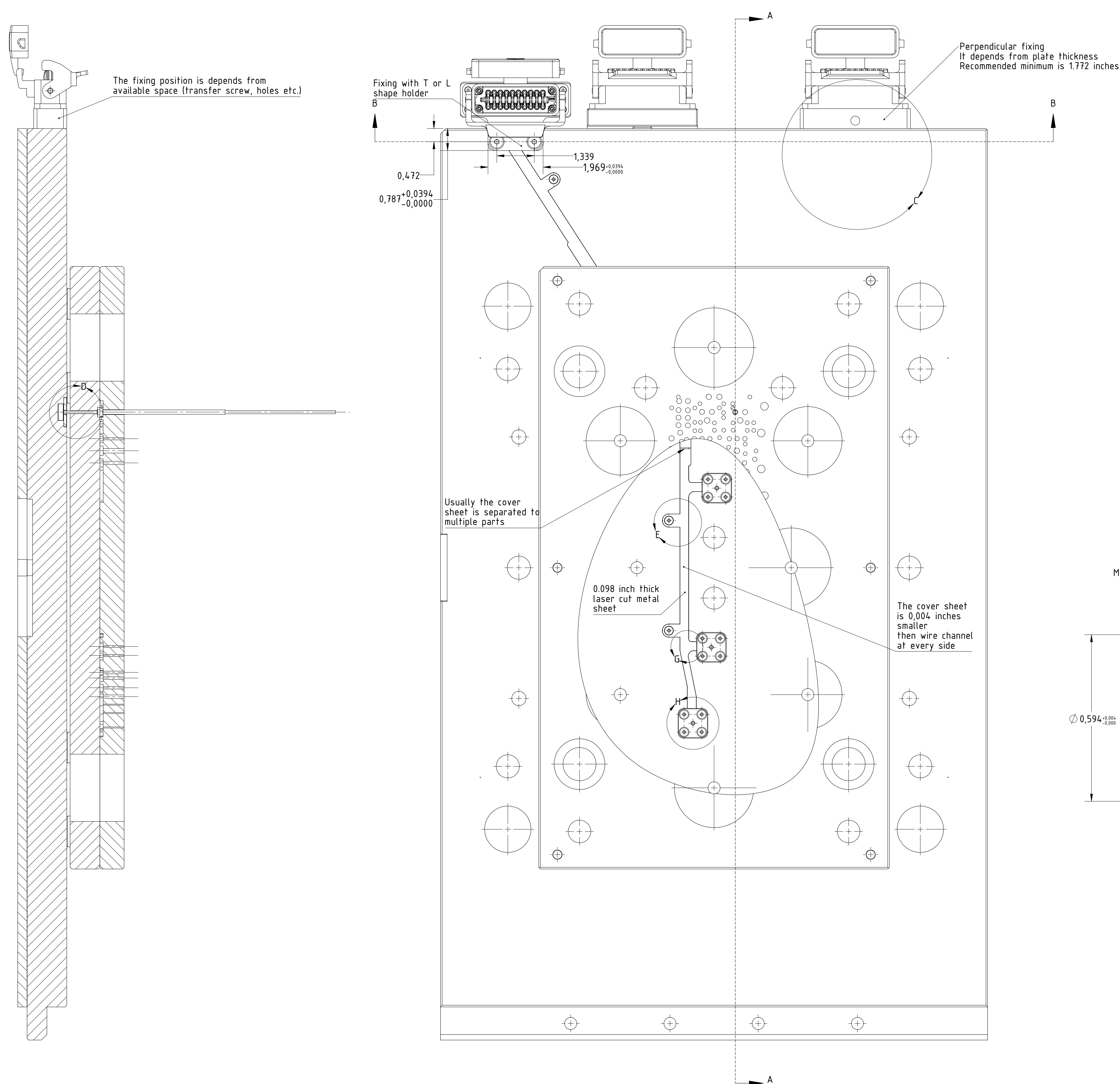
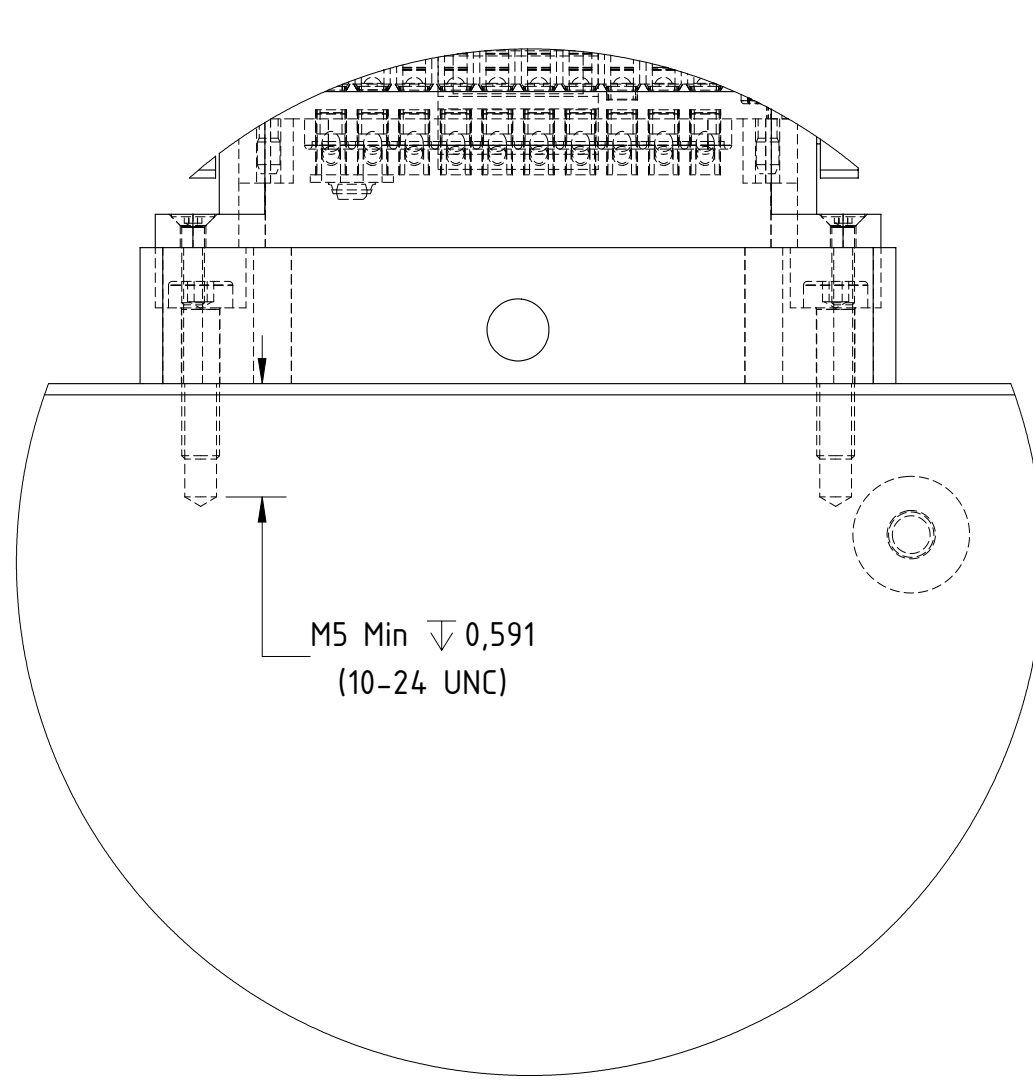


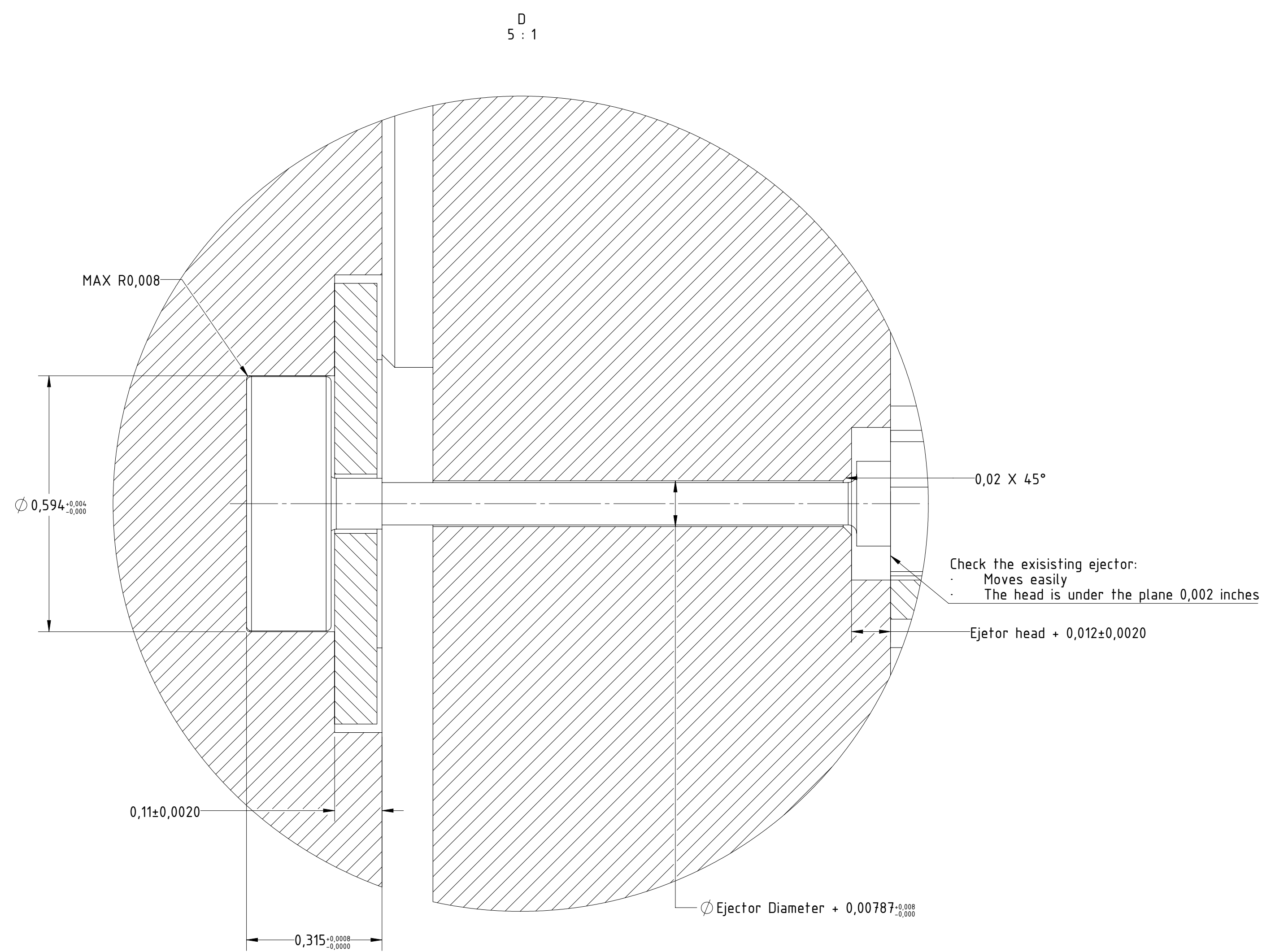
A-A
Front installation in clamping plate



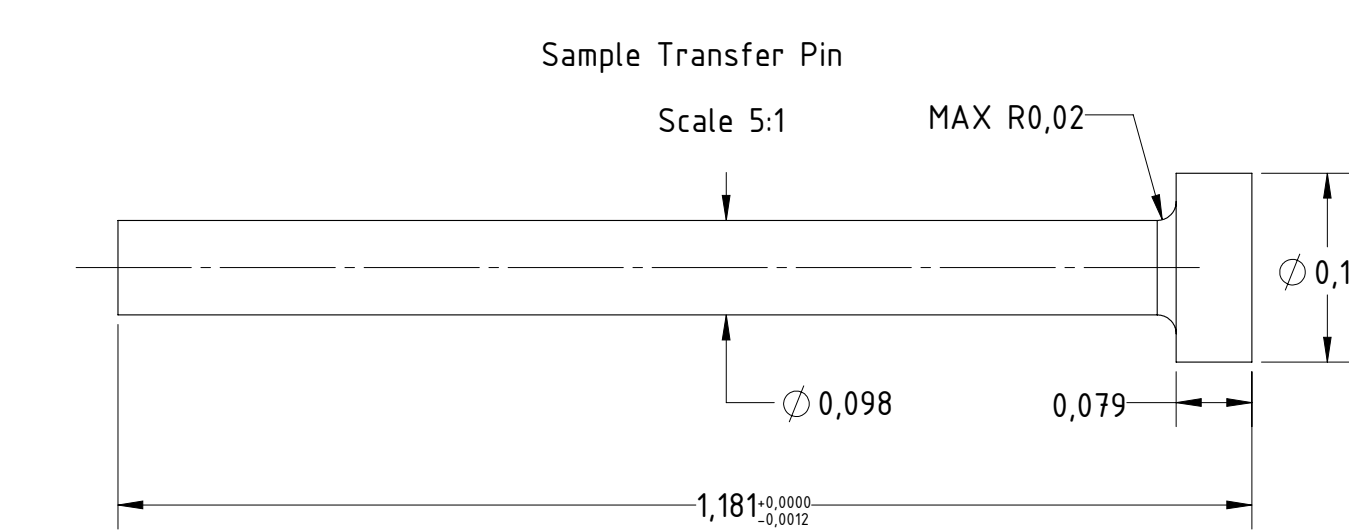
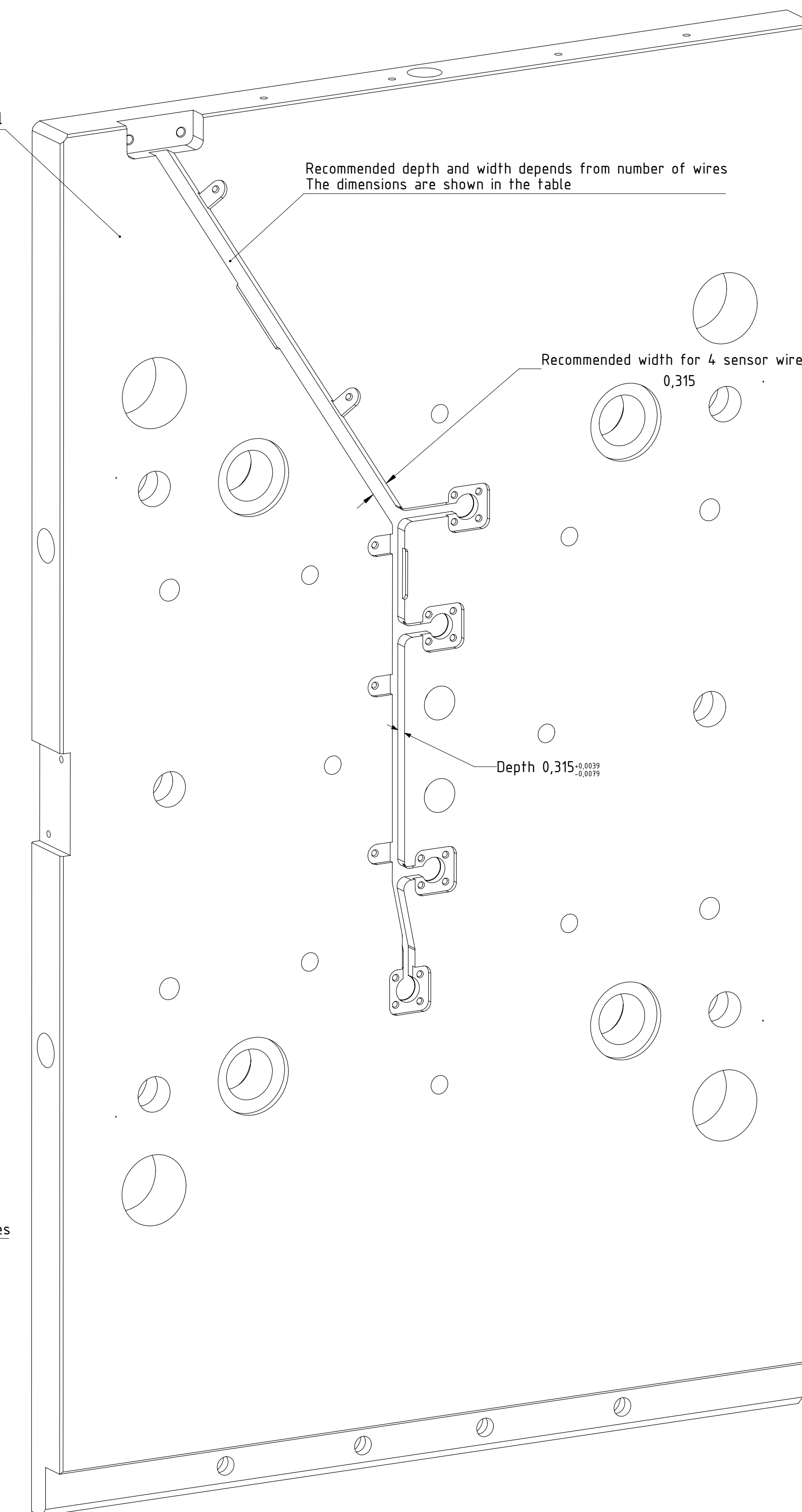
C
1:1



D
5:1



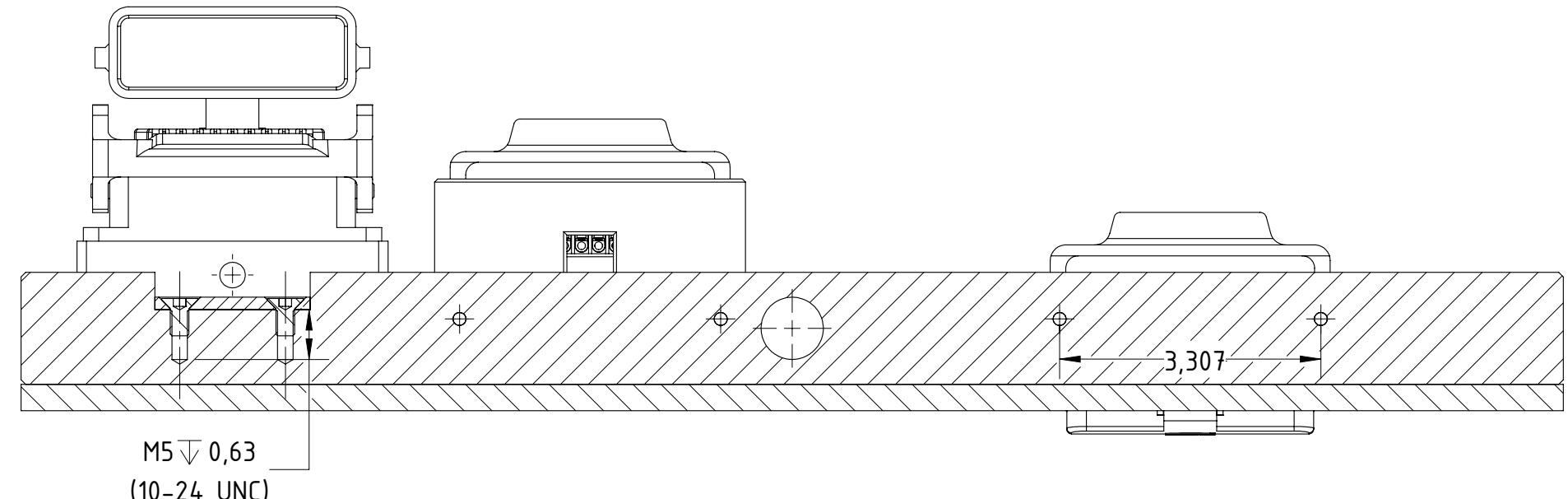
Clamping Plate with sample cable channel



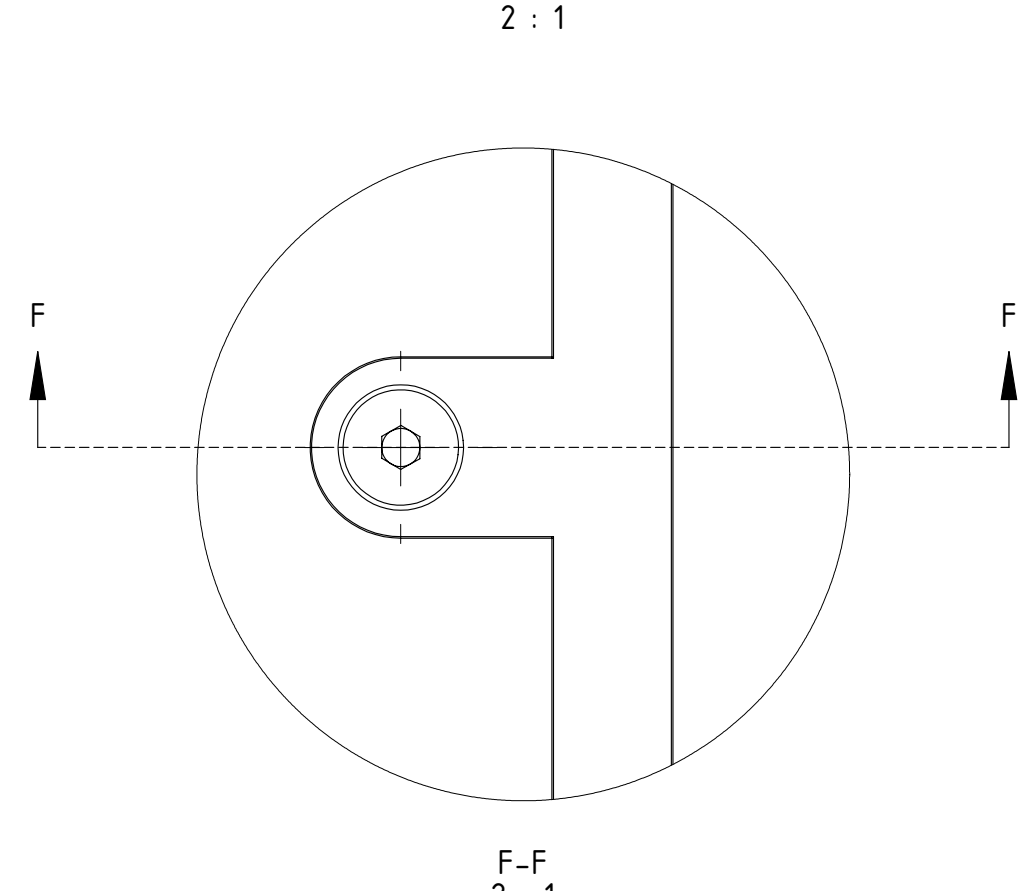
Cable channel dimensions				
Sensor cable amount	Minimum depth	Recommended depth	Minimum width	Recommended width
1-4	0.197	0.315	0.248	0.315
5-8	0.236	0.315	0.315	0.394
9-12	0.236	0.315	0.394	0.472
13-16	0.236	0.315	0.472	0.551
17-32	0.315	0.394	0.551	0.630

B-B

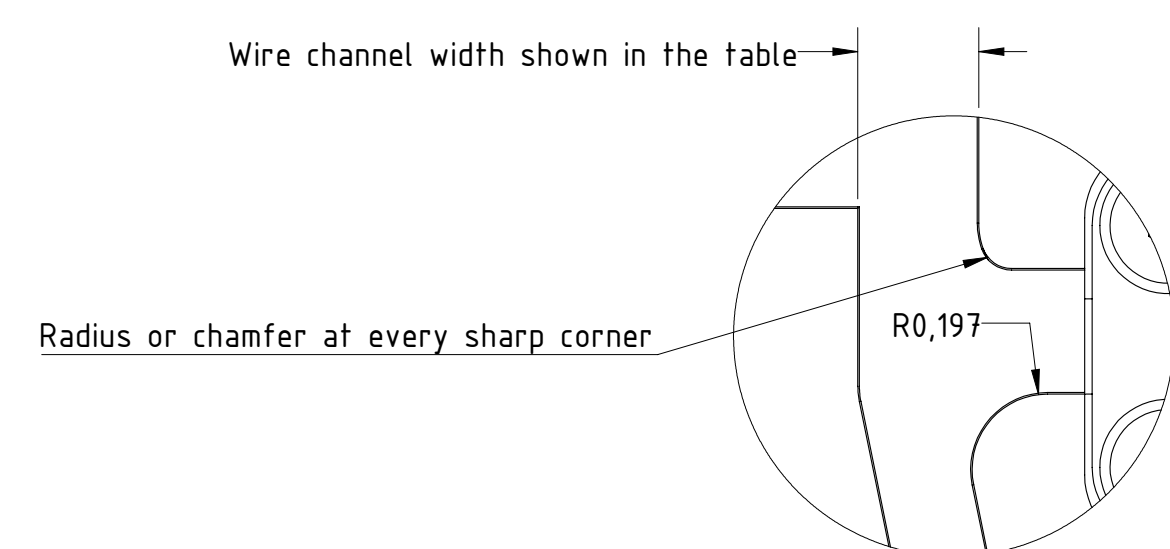
Connector fixing Samples



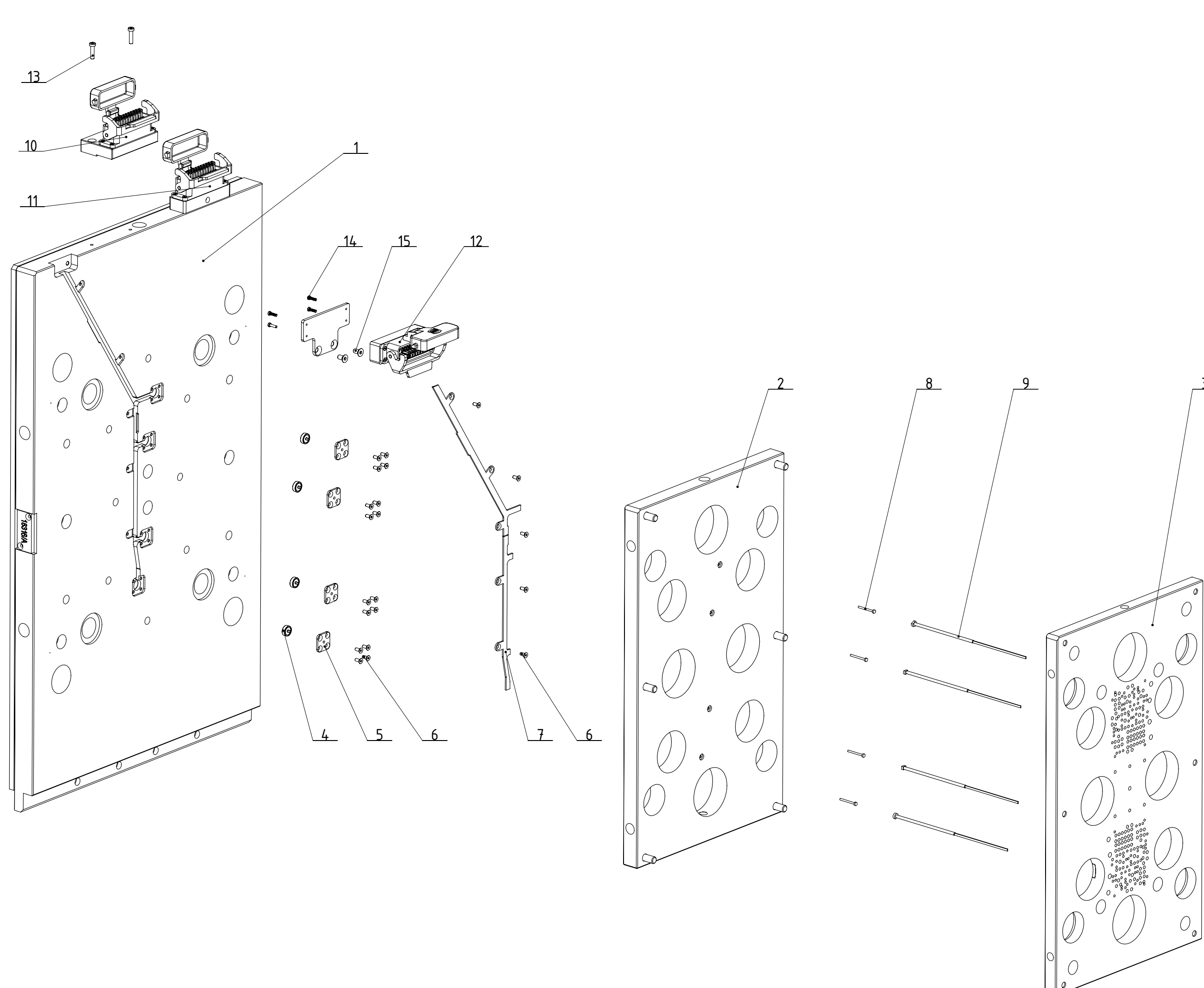
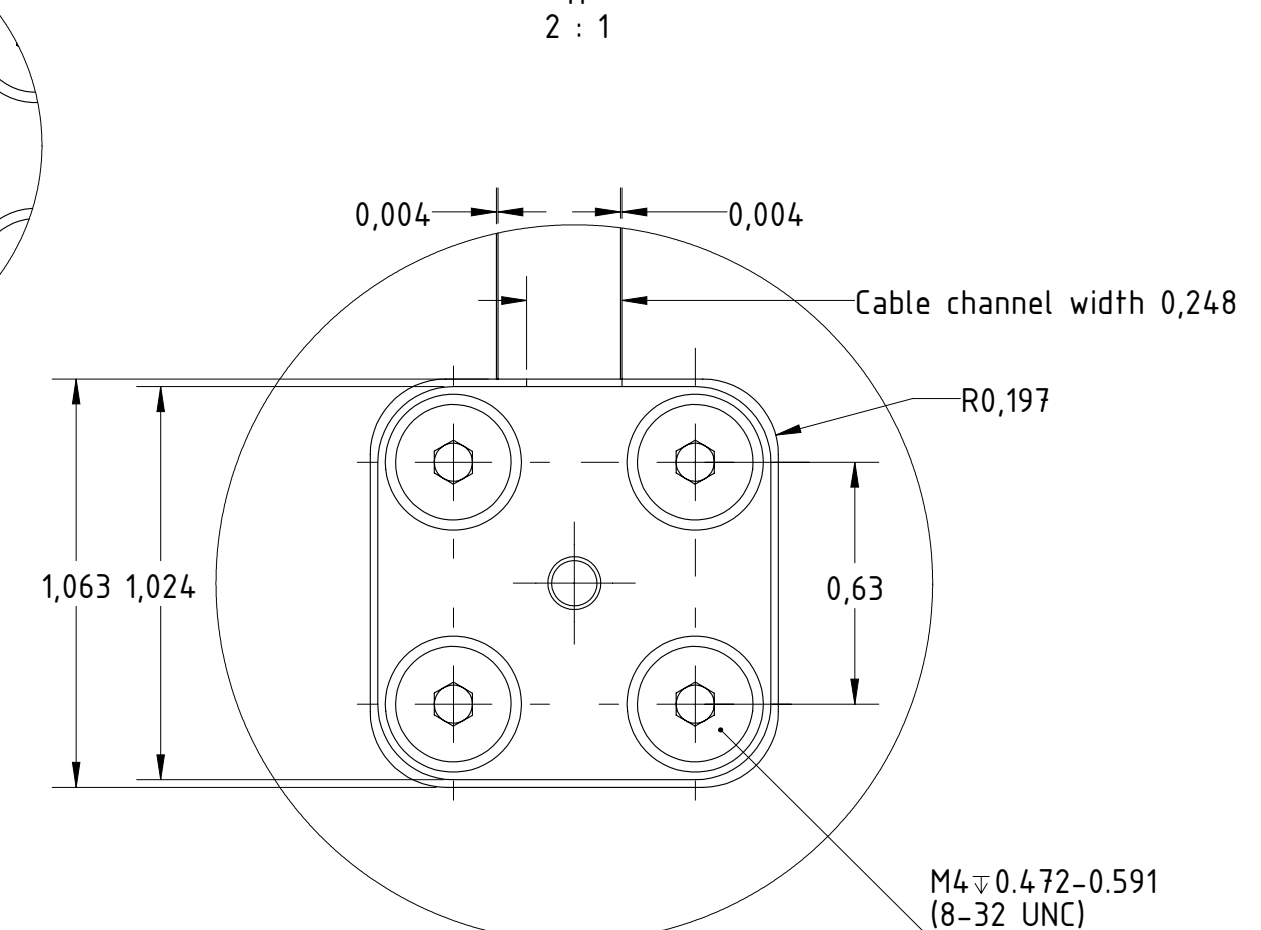
E
2:1



G
2:1



H
2:1



ITEM NO.	PART NUMBER	QTY.
1	Clamping plate	1
2	Ejector base plate	1
3	Ejector retaining plate	1
4	Pressure sensor	4
5	Front cover plate	4
6	Hex. socket countersunk head screw (DIN 7991-M4x10)	21
7	Cable channel cover	1
8	Transfer pin	4
9	Ejector pin	4
10	Mould socket with offset spacer	1
11	Mould socket with standard spacer	1
12	Mould socket with T-shape holder	1
13	Low Head Socket Cap Screw (DIN 7984-M5x20)	4
14	Low Head Socket Cap Screw (DIN 7984-M3x12)	4
15	Hex. socket countersunk head screw (DIN 7991-M6x12)	2

All screw sizes are given in Metric standard and added UNC standard in parenthesis

