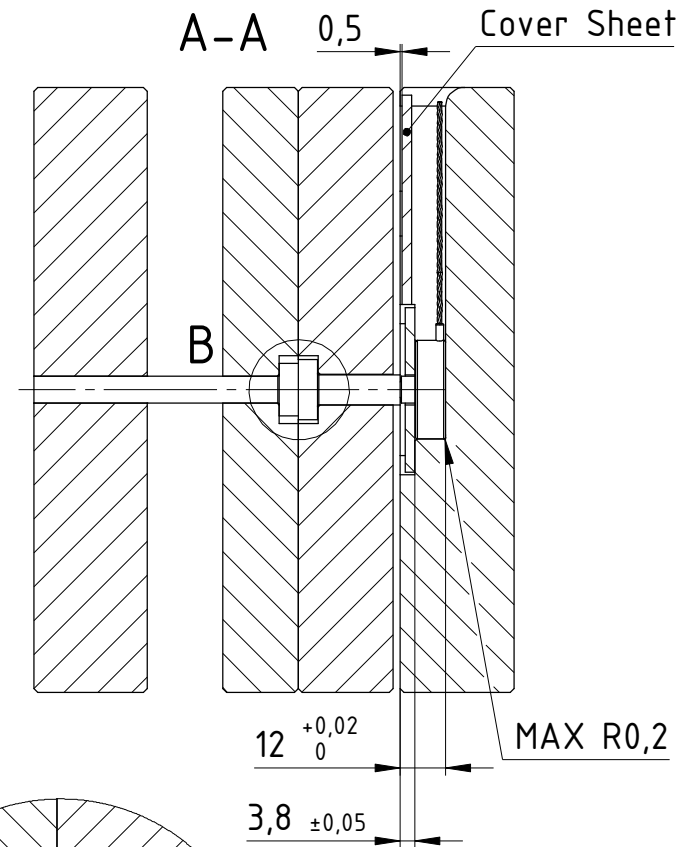
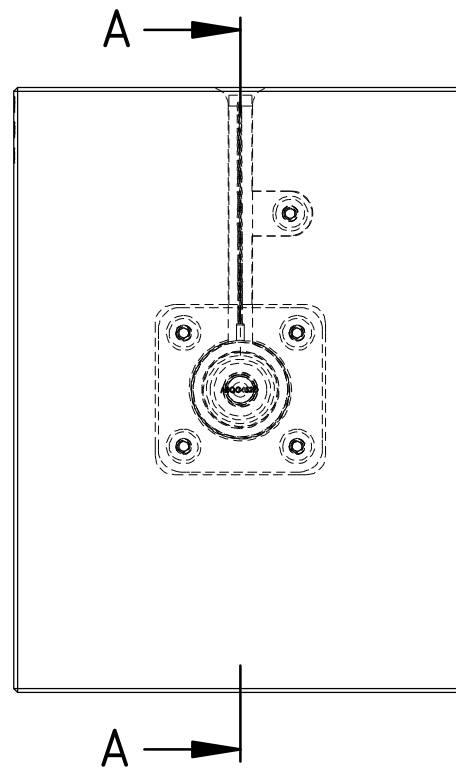
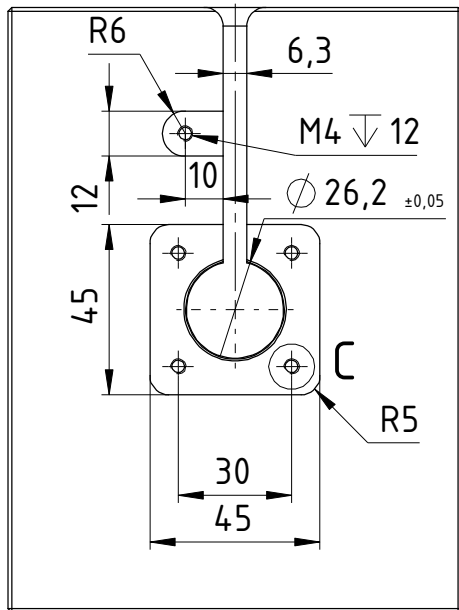
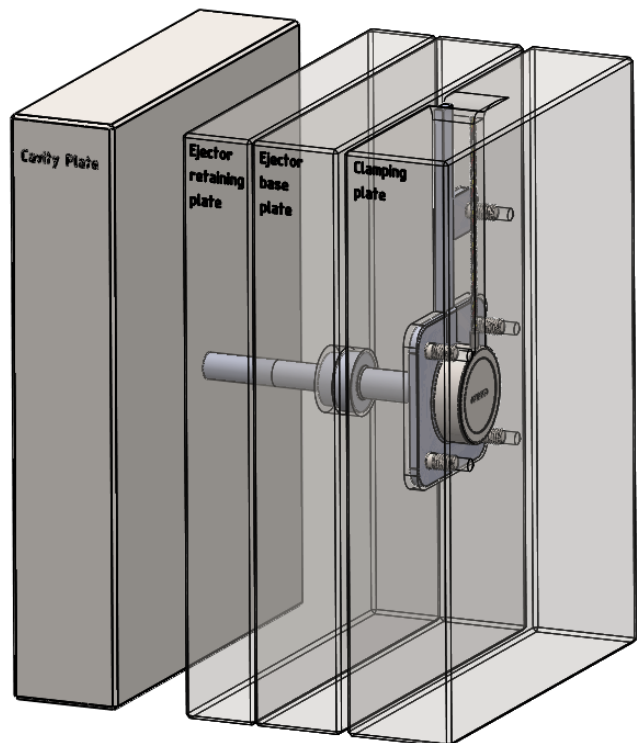
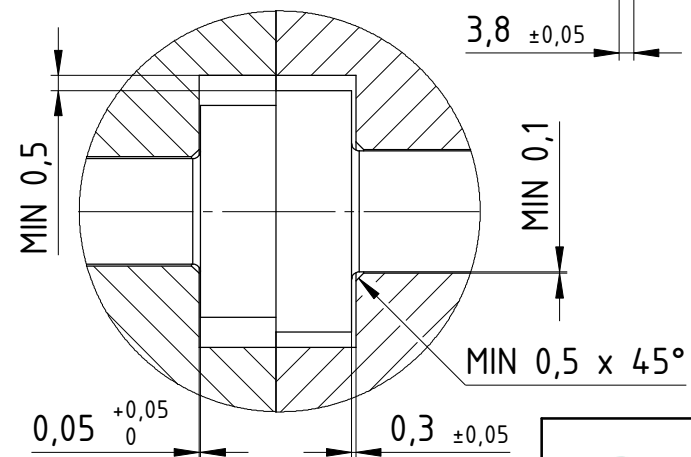


Clamping Plate Front View



B
2 : 1



All dimensions in mm		Name PC26 Sensor Installation in Clamping Plate (Front)	
Date 2018. 03. 26.		Designer Horváth Szabolcs	
Drawing No. 16-73-v2		ID Number PC26-INST-F	
		Scale M1:2	

