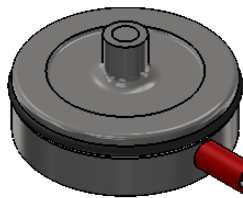
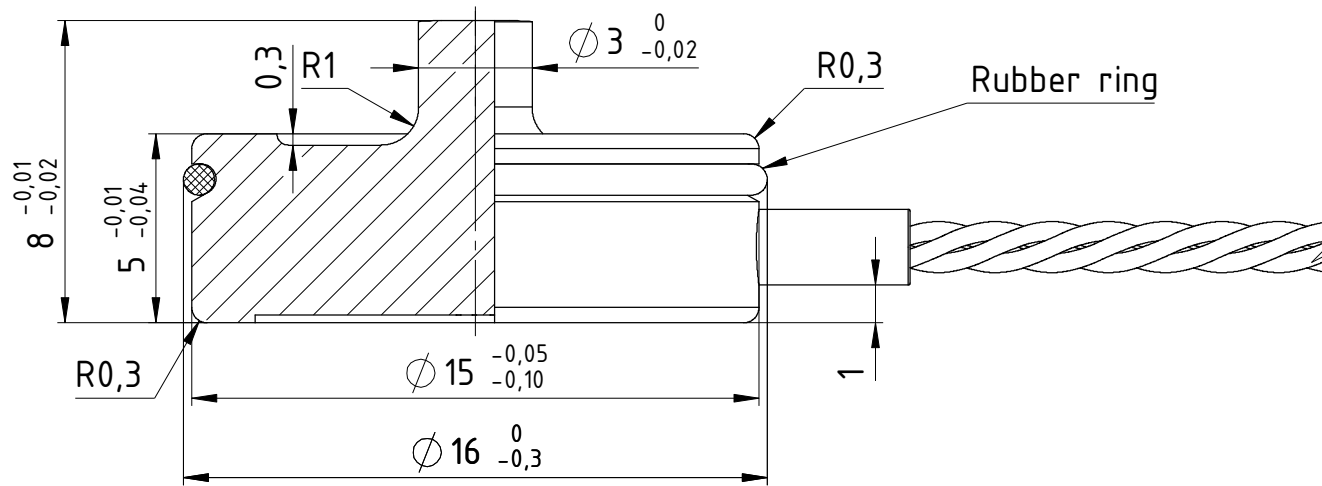
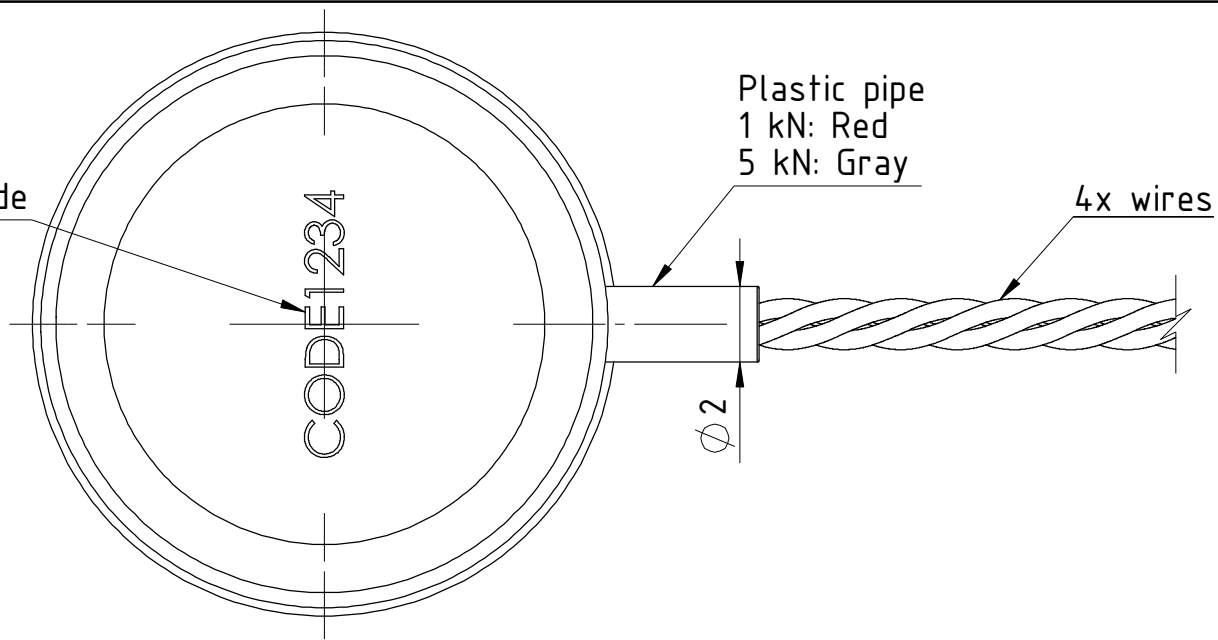
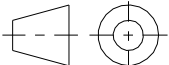


Unique sensor code



2 : 1

 All dimensions in mm		Name	
Date	2019. 03. 22.	RC15 Pressure Sensor	
Drawing No.	19-05-v1	ID Number	RC15-1
		Designer	Levente Jakab
		Scale	M5:1

