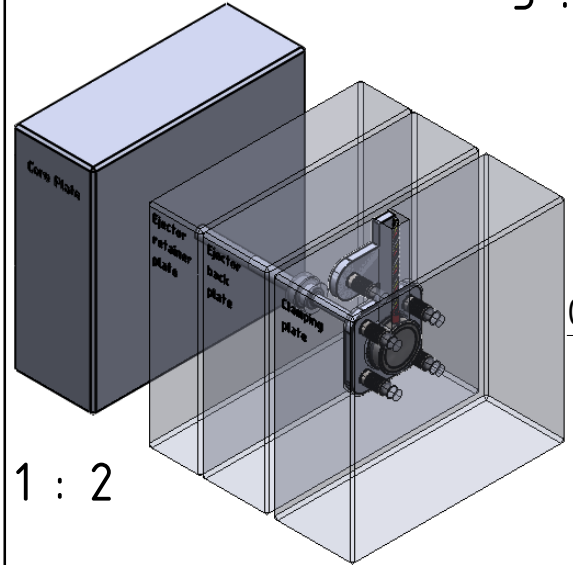
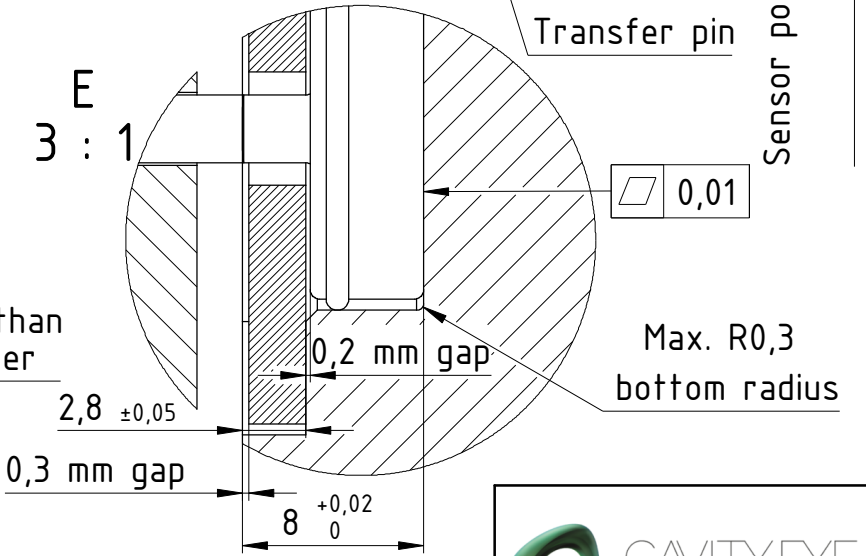
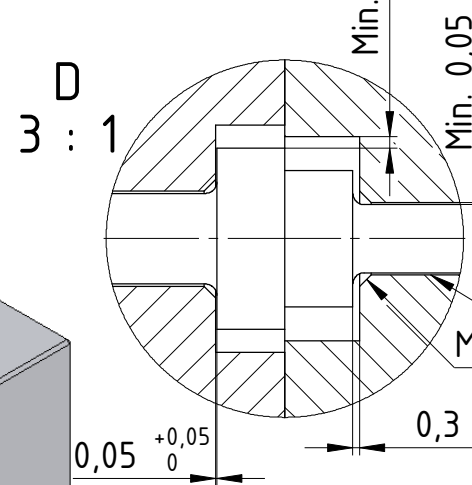
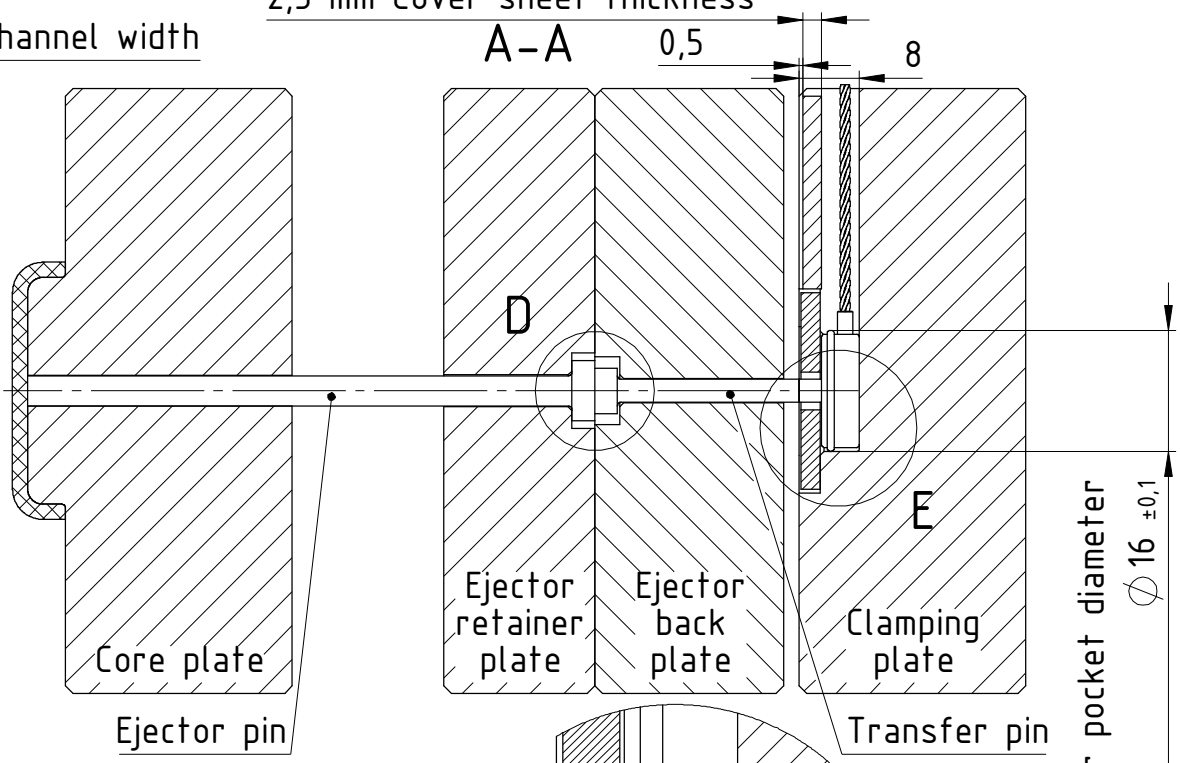
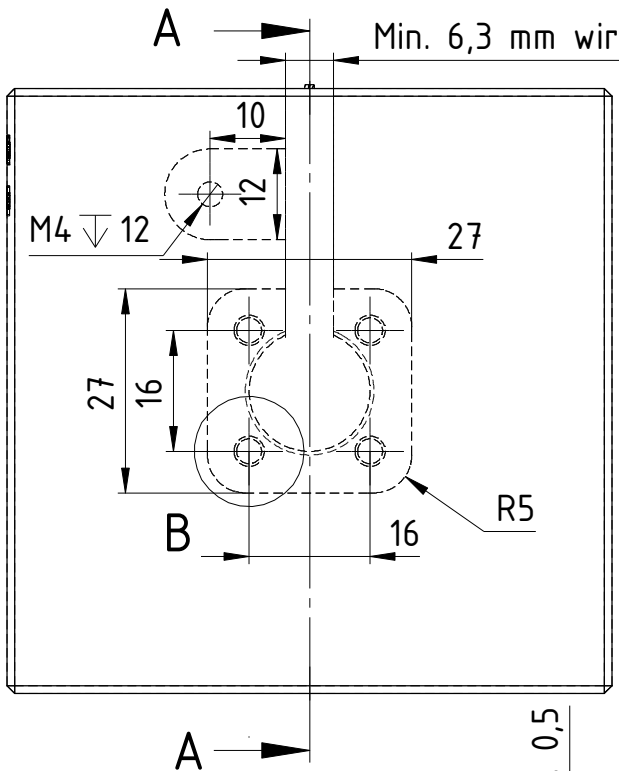
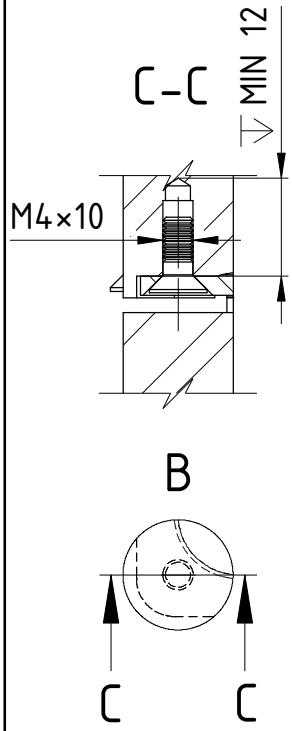


2,5 mm Cover sheet thickness

Min. 6,3 mm wire channel width



All dimensions in mm		Name	
Date	2019. 03. 26.	RC15 Sensor Installation in Clamping Plate (Front)	
Drawing No.	19-83-v1	ID Number	RC15-INST-F
		Designer	Levente Jakab
		Scale	M1:1

