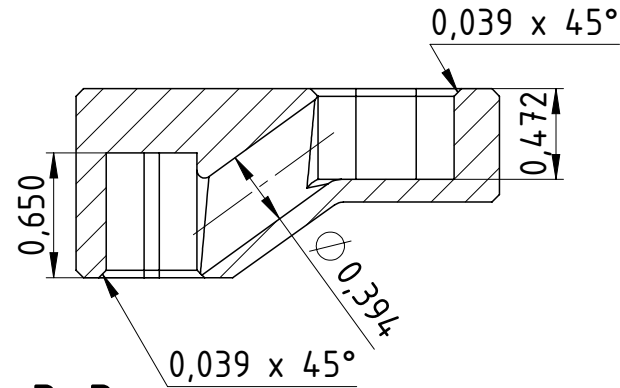
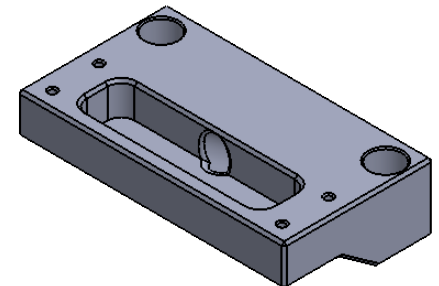
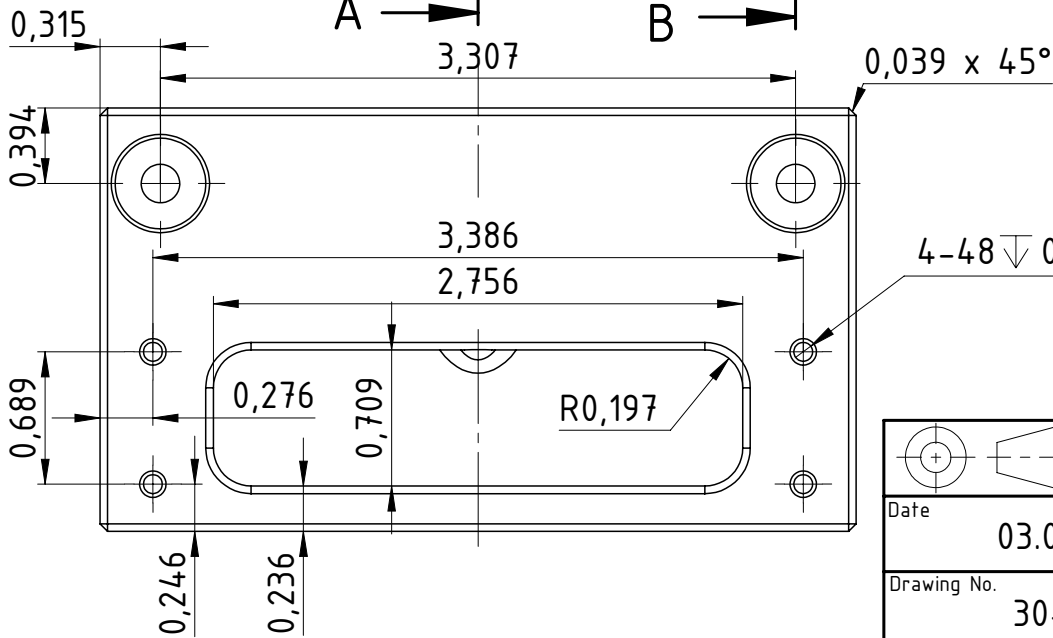
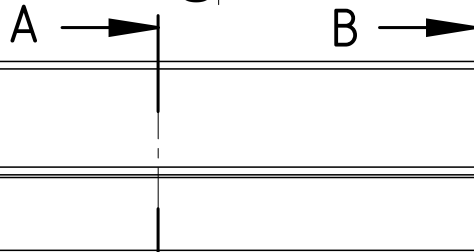
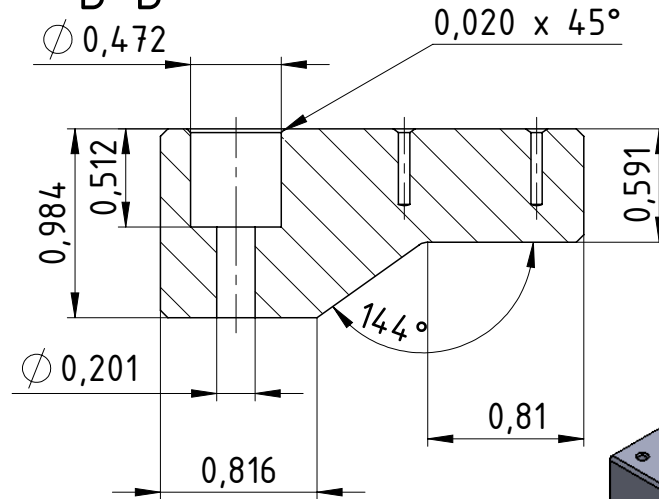

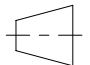



A-A



B-B



  All dimensions in inch	Name		 CAVITYEYE <small>INTELLIGENCE IN MOLDING</small>
	Offset spacer		
Date	03.06.2020	ID Number	Scale
Drawing No.	30-32-v1	MPH-OS	M1:1