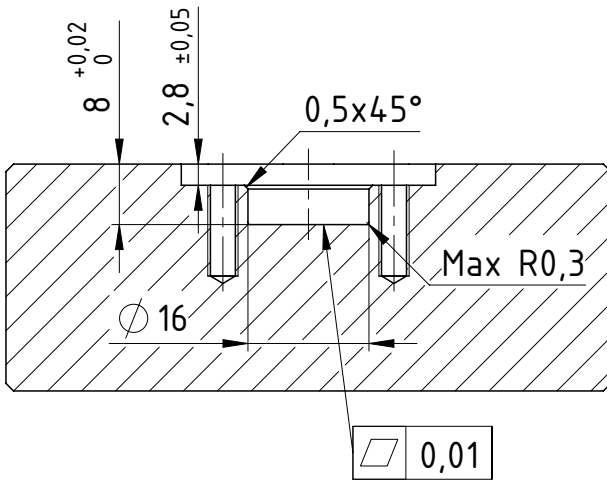
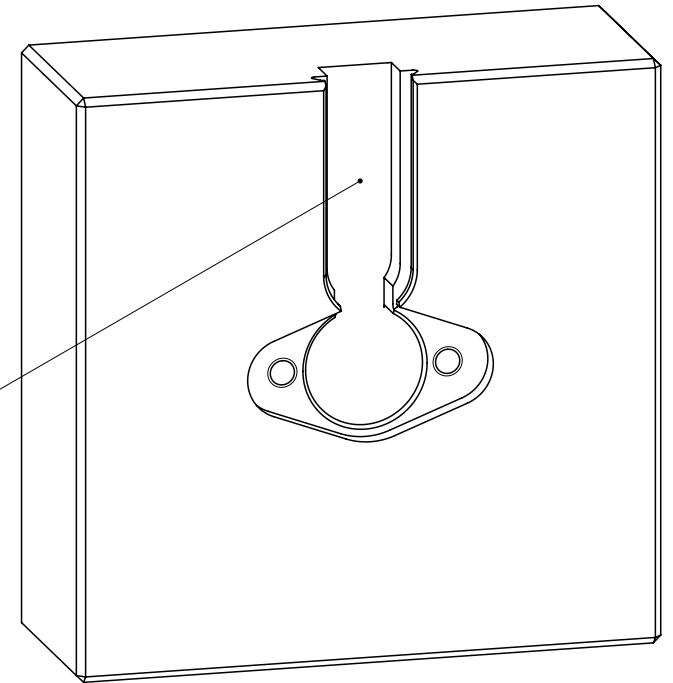
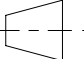
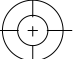



The depth of the channel could be 8 mm, same as the pocket depth



| | | | | | |
|---|--|--|--|---|--|
|   All dimensions in mm | | Name RC15 Sensor Pocket Layout (front) | |  | |
| Date 2023.01.26. | | Designer Hegedűs Zsolt | | Designer Hegedűs Zsolt | |
| Drawing No. 19-81-v2 | | ID Number RC15-SP-F | | Scale M1:1 | |